

OLATHE, KANSAS

AL-302 (FAA)

24137

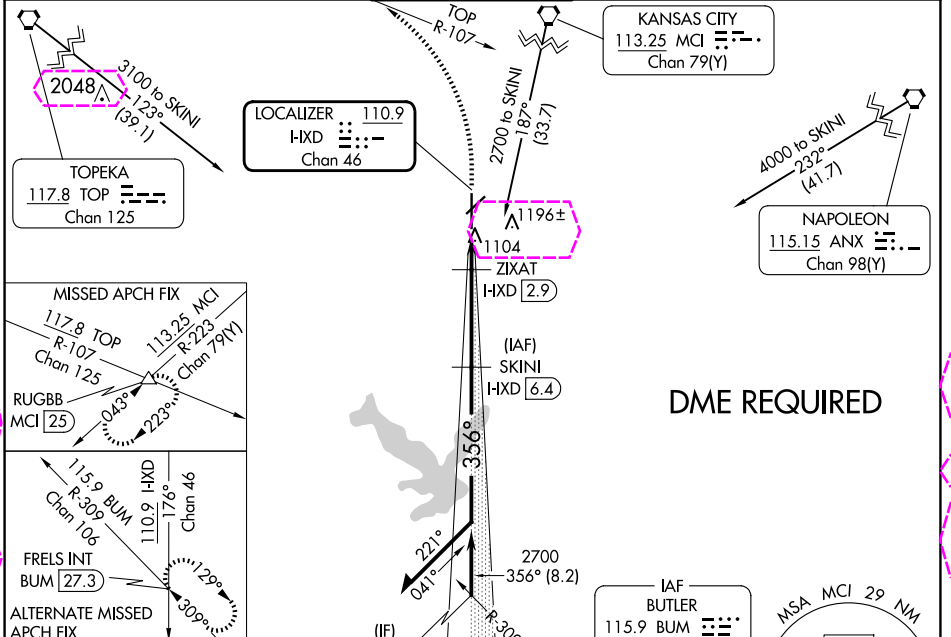
LOC/DME HXD 110.9 Chan 46	APP CRS 356°	Rwy Idg TDZE Apt Elev	7339 1067 1087
--	------------------------	-----------------------------	---

ILS or LOC RWY 36

NEW CENTURY AIRCENTER (IXD)

<p>DME required. For inop ALS, increase S-LOC 36 Cat C/D visibility to 1 SM.</p>	<p>MALSR</p>	<p>MISSED APPROACH: Climb to 2700 then climbing left turn to 4000 on TOP VORTAC R-107 to RUGBB/MCI 25 DME and hold.</p>
--	--------------	---

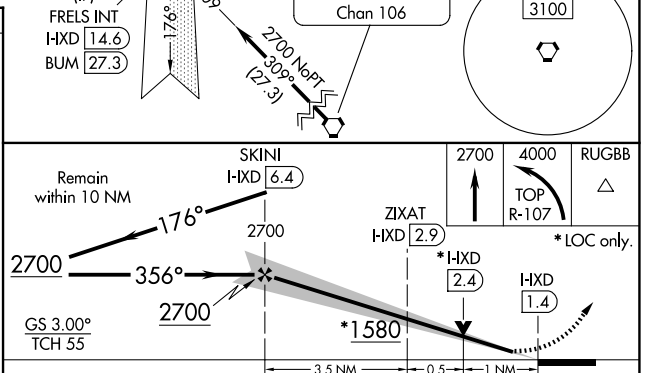
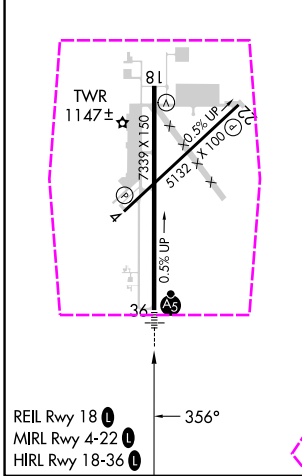
ASOS 135.325	KANSAS CITY APP CON 118.9 251.075	NEW CENTURY TOWER* 133.0 (CTAF) 0	GND CON 124.3	UNICOM 122.95
------------------------	---	--	-------------------------	-------------------------



NC-2 30 OCT 2025 to 27 NOV 2025

NC-2 30 OCT 2025 to 27 NOV 2025

ELEV 1087	TDZE 1067
-----------	-----------



CATEGORY	A	B	C	D
S-ILS 36	1267-1/2		200 (200-1/2)	
S-LOC 36	1420-1/2	353 (400-1/2)	1420-5/8	353 (400-5/8)
CIRCLING	1560-1	473 (500-1)	1580-1/2 493 (500-1/2)	1640-2 553 (600-2)

OLATHE, KANSAS
Amdt 7A 01FEB18

38°50'N-94°53'W

NEW CENTURY AIRCENTER (IXD)

ILS or LOC RWY 36

OLATHE, KANSAS

AL-302 (FAA)

25331

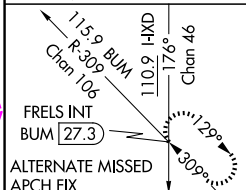
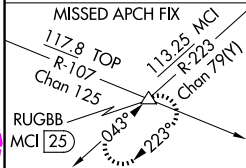
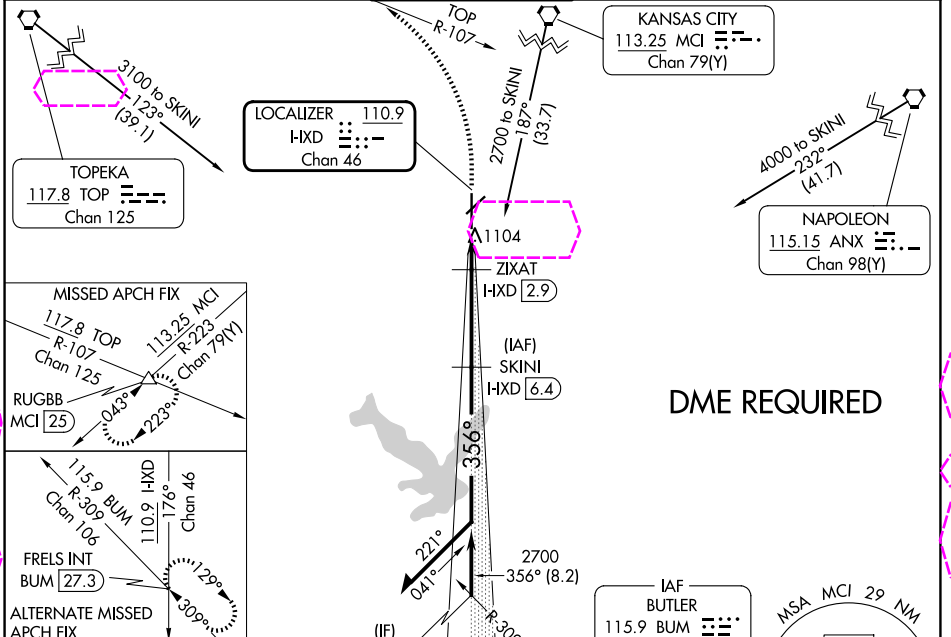
LOC/DME HXD 110.9 Chan 46	APP CRS 356°	Rwy Ldg TDZE Apt Elev 7339 1067 1087
--	------------------------	--

ILS or LOC RWY 36

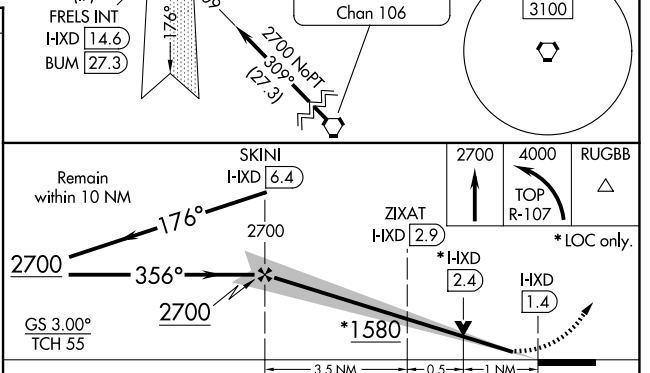
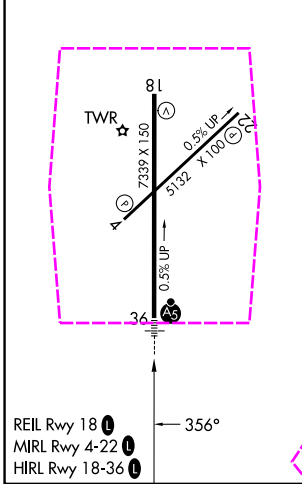
NEW CENTURY AIRCENTER (IXD)

<p>DME required. For inop ALS, increase S-LOC 36 Cat C/D visibility to 1 SM.</p>	<p>MALSR</p>	<p>MISSED APPROACH: Climb to 2700 then climbing left turn to 4000 on TOP VORTAC R-107 to RUGBB/MCI 25 DME and hold.</p>
--	--------------	---

ASOS 135.325	KANSAS CITY APP CON 118.9 251.075	NEW CENTURY TOWER* 133.0 (CTAF) 0	GND CON 124.3	UNICOM 122.95
------------------------	---	--	-------------------------	-------------------------



ELEV 1087	TDZE 1067
-----------	-----------



CATEGORY	A	B	C	D
S-ILS 36	1267-1/2 200 (200-1/2)			
S-LOC 36	1420-1/2	353 (400-1/2)	1420-5/8	353 (400-5/8)
CIRCLING	1560-1	473 (500-1)	1580-1/2 493 (500-1/2)	1640-2 553 (600-2)

OLATHE, KANSAS
Amdt 7A 01FEB18

38°50'N-94°53'W

NEW CENTURY AIRCENTER (IXD)

ILS or LOC RWY 36

NC-2 27 NOV 2025 to 25 DEC 2025

NC-2 27 NOV 2025 to 25 DEC 2025