

WAAS CH 70617 W17A	APP CRS 172°	Rwy Idg 7852 TDZE 1884 Apt Elev 1887
--	------------------------	---

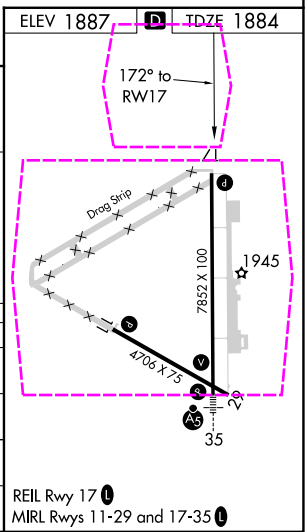
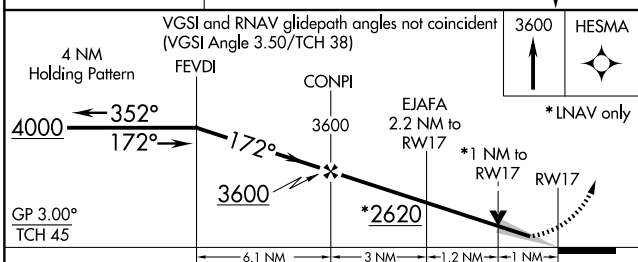
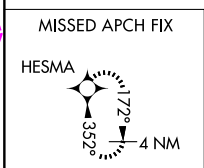
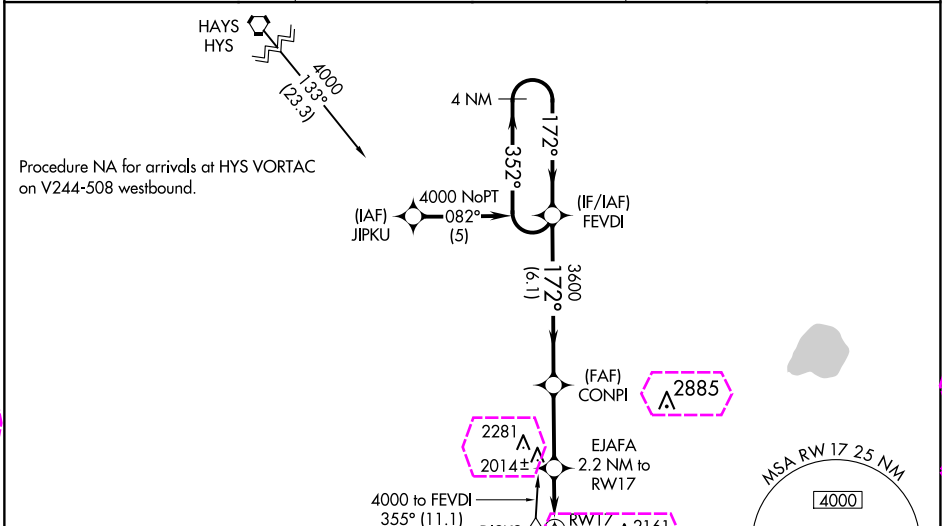
RNAV (GPS) RWY 17

GREAT BEND MUNI (GBD)

⚠ DME/DME RNP-0.3 NA. For uncompensated Baro-VNAV systems, LNAV/VNAV NA below -18°C (0°F) or above 54°C (130°F).

⚠ MISSED APPROACH: Climb to 3600 direct HESMA and hold.

AWOS-3PT 119.275	KANSAS CITY CENTER 118.8 322.425	UNICOM 122.8 (CTAF) 0
----------------------------	--	---------------------------------



CATEGORY	A	B	C	D
LPV DA		2084-3/4	200 (200-3/4)	
LNAV/VNAV DA		2282-1 1/2	398 (400-1 1/2)	
LNAV MDA	2280-1	396 (400-1)		2280-1 1/4 396 (400-1 1/4)
CIRCLING	2320-1 433 (500-1)	2340-1 453 (500-1)	2520-1 3/4 633 (700-1 3/4)	2640-2 1/2 753 (800-2 1/2)

NC-2 30 OCT 2025 to 27 NOV 2025

NC-2 30 OCT 2025 to 27 NOV 2025

GREAT BEND, KANSAS

AL-175 (FAA)

25331

WAAS CH 70617 W17A	APP CRS 172°	Rwy Ldg TDZE Apt Elev	7852 1884 1887
--	------------------------	-----------------------------	---

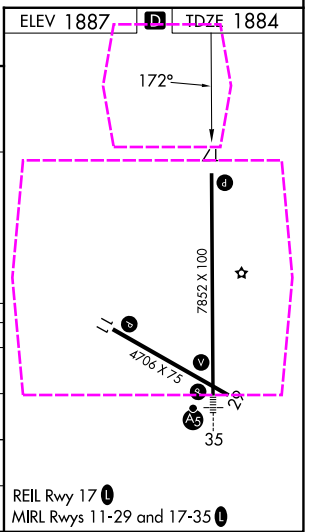
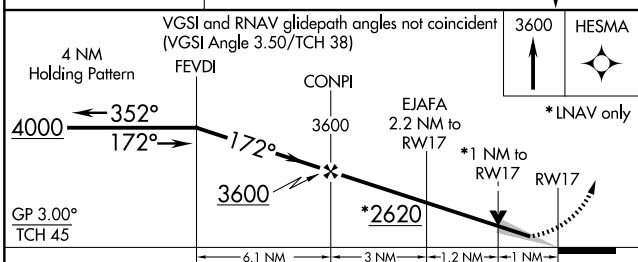
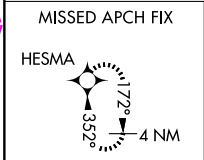
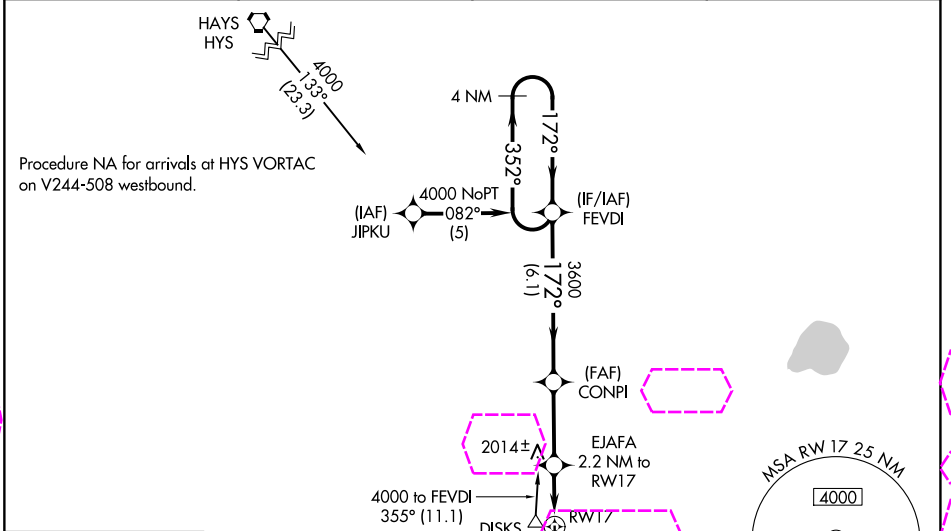
RNAV (GPS) RWY 17

GREAT BEND MUNI (G·BD)

⚠ DME/DME RNP-0.3 NA. For uncompensated Baro-VNAV systems, LNAV/VNAV NA below -18°C (0°F) or above 54°C (130°F).

MISSED APPROACH: Climb to 3600 direct HESMA and hold.

AWOS-3PT 119.275	KANSAS CITY CENTER 118.8 322.425	UNICOM 122.8 (CTAF) 0
----------------------------	--	---------------------------------



CATEGORY	A	B	C	D
LPV DA		2084-3/4	200 (200-3/4)	
LNAV/VNAV DA		2282-1 1/2	398 (400-1 1/2)	
LNAV MDA	2280-1	396 (400-1)		2280-1 1/4 396 (400-1 1/4)
CIRCLING	2320-1 433 (500-1)	2340-1 453 (500-1)	2520-1 3/4 633 (700-1 3/4)	2640-2 1/2 753 (800-2 1/2)

GREAT BEND, KANSAS
Orig-C 02DEC21

38°21'N-98°52'W

GREAT BEND MUNI (G·BD)

RNAV (GPS) RWY 17

NC-2, 27 NOV 2025 to 25 DEC 2025

NC-2, 27 NOV 2025 to 25 DEC 2025