

COLUMBUS, OHIO

AL-94 (FAA)

25163

LOC/DME I-CMH <b>111.75</b> Chan <b>54 (Y)</b>	APP CRS <b>281°</b>	Rwy Ldg TDZE <b>815</b> Apt Elev <b>815</b>
--	------------------------	---

# ILS or LOC RWY 28L

JOHN GLENN COLUMBUS INTL (CMH)

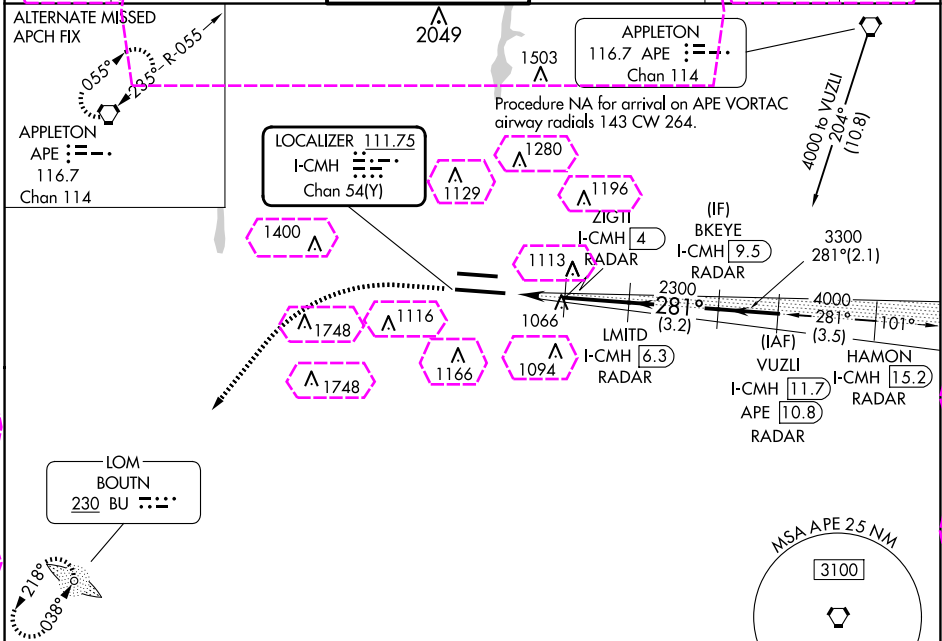
ADF required. DME or RADAR required.

⚠ Simultaneous approach authorized.

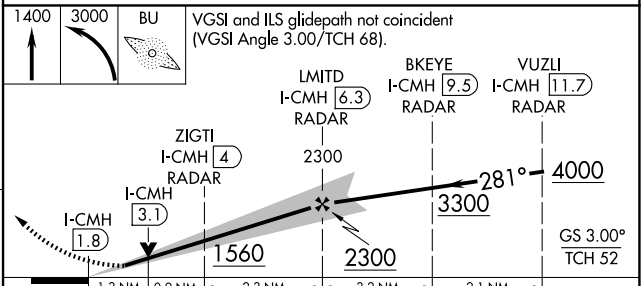
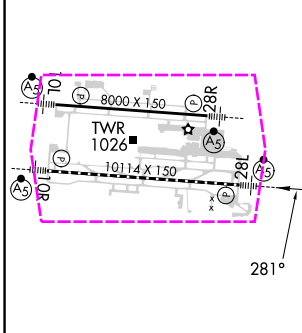
⚠ For inop ALS, increase S-LOC 28L Cat C/D visibility to 1 3/8 SM.

MALSRR  MISSED APPROACH: Climb to 1400 then climbing left turn to 3000 direct BU LOM and hold.

D-ATIS <b>124.6</b>	COLUMBUS APP CON <b>125.95 371.975</b>	COLUMBUS TOWER <b>132.7 257.8</b>	GND CON <b>121.9 348.6</b>	CLNC DEL <b>126.3</b>	CPDLC
------------------------	---	--------------------------------------	-------------------------------	--------------------------	-------



ELEV 815	<b>D</b>	TDZE 815
----------	----------	----------



TDZ/CL Rwy 10R-28L HIRL Rwys 10R-28L and 10L-28R	FAF to MAP 4.5 NM				
Knots	60	90	120	150	180
Min:Sec	4:30	3:00	2:15	1:48	1:30
<b>CIRCLING</b>	1340-1	525 (600-1)	1520-2 705 (800-2)	1520-2 1/4 705 (800-2 1/4)	

COLUMBUS, OHIO  
Amdt 31 22APR21

40°00'N-82°54'W

# ILS or LOC RWY 28L

EC-2, 30 OCT 2025 to 27 NOV 2025

COLUMBUS, OHIO

AL-94 (FAA)

25331

LOC/DME I-CMH <b>111.75</b> Chan <b>54 (Y)</b>	APP CRS <b>281°</b>	Rwy Ldg TDZE <b>815</b> Apt Elev <b>815</b>
--	------------------------	---

# ILS or LOC RWY 28L

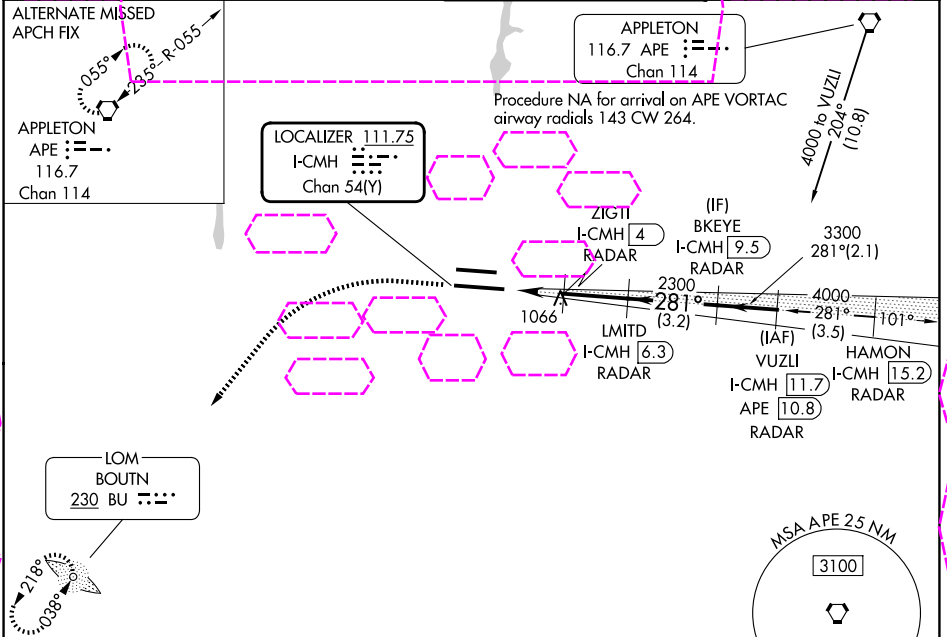
JOHN GLENN COLUMBUS INTL (CMH)

ADF required. DME or RADAR required.

MALSRR MISSED APPROACH: Climb to 1400 then climbing left turn to 3000 direct BU LOM and hold.

**⚠** Simultaneous approach authorized.  
**⚠** For inop ALS, increase S-LOC 28L Cat C/D visibility to 1 3/8 SM.

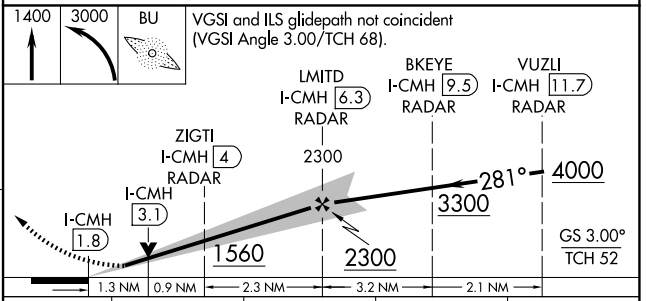
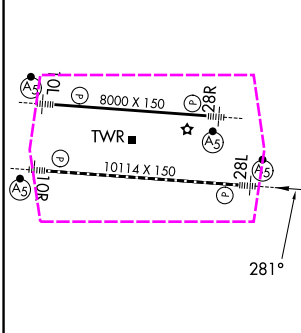
D-ATIS <b>124.6</b>	COLUMBUS APP CON <b>125.95 371.975</b>	COLUMBUS TOWER <b>132.7 257.8</b>	GND CON <b>121.9 348.6</b>
------------------------	---	--------------------------------------	-------------------------------



EC-2, 127 NOV 2025 to 25 DEC 2025

EC-2, 27 NOV 2025 to 25 DEC 2025

ELEV <b>815</b>	<b>D</b>	TDZE <b>815</b>
-----------------	----------	-----------------



TDZL/RCLS Rwy 10R-28L  
HRLT Rwys 10R-28L and 10L-28R

FAF to MAP 4.5 NM

Knots	60	90	120	150	180
Min:Sec	4:30	3:00	2:15	1:48	1:30

CATEGORY	A	B	C	D
S-ILS 28L	1015/18 200 (200-1/2)			
S-LOC 28L	1300/24	485 (500-1/2)	1300/50	485 (500-1)
CIRCLING	1340-1	525 (600-1)	1520-2 705 (800-2)	1520-2 1/4 705 (800-2 1/4)

COLUMBUS, OHIO  
Amdt 31 22APR21

40°00'N-82°54'W

# ILS or LOC RWY 28L