

WAAS CH 58017 W06A	APP CRS 057°	Rwy ldg TDZE Apt Elev	4479 367 374
---------------------------------	------------------------	-----------------------------	---

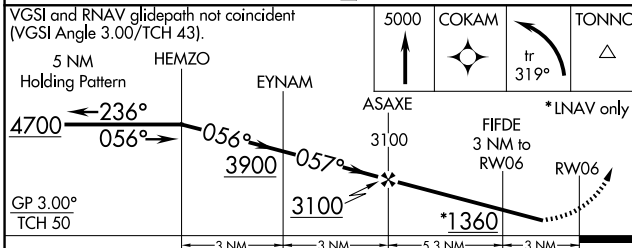
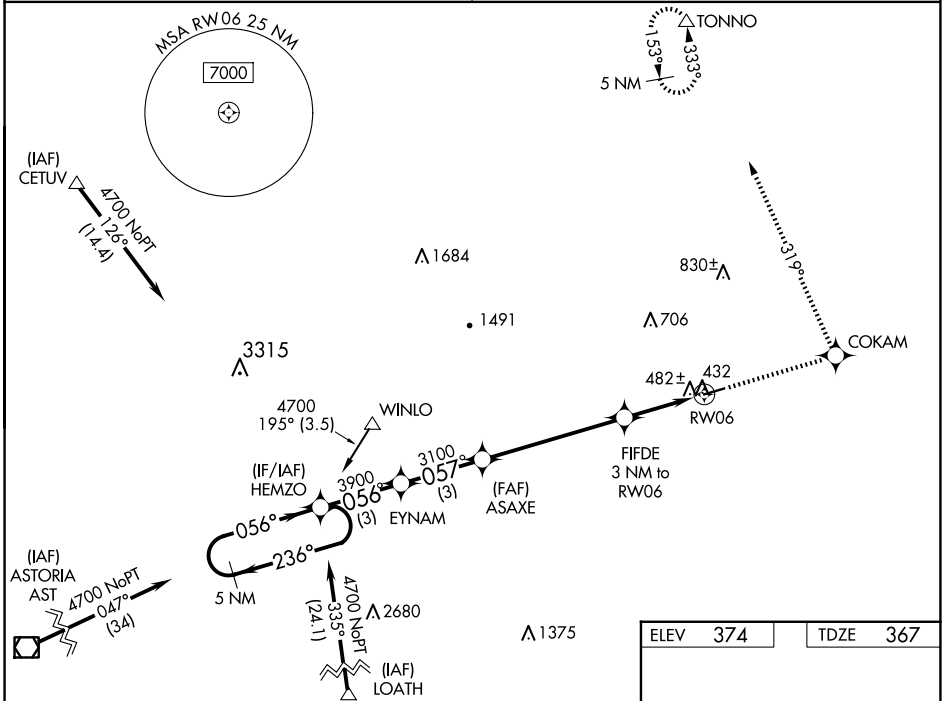
RNAV (GPS) RWY 6

ED CARLSON MEML FLD/SOUTH LEWIS COUNTY (TDO)

NA Circling NA at night. Baro-VNAV NA. DME/DME RNP-0.3 NA. Visibility reduction by helicopters NA. Use Chehalis altimeter setting, when not received use Kelso altimeter setting and increase LPV DA to 807 feet; LNAV/VNAV DA to 853 feet; increase all MDA's 40 feet.

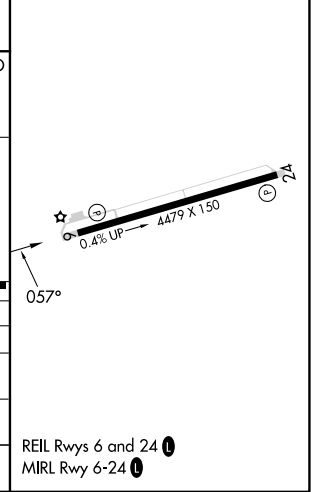
MISSED APPROACH: Climb to 5000 direct COKAM and left turn on track 319° to TONNO and hold, continue climb-in-hold to 5000.

SEATTLE CENTER 124.2 317.6	CTAF 122.9
--------------------------------------	----------------------



ELEV	374	TDZE	367
------	-----	------	-----

CATEGORY	A	B	C	D
LPV DA		767-1½	400 (400-1½)	
LNAV/VNAV DA		813-1½	446 (500-1½)	
LNAV MDA	800-1	433 (500-1)	800-1¼ 433 (500-1¼)	800-1½ 433 (500-1½)
CIRCLING	900-1	526 (600-1)	1060-2 686 (700-2)	1280-3 906 (1000-3)



RNAV (GPS) RWY 6

NW-1, 17 APR 2025 to 15 MAY 2025

NW-1, 17 APR 2025 to 15 MAY 2025

REIL Rwy 6 and 24
MIRL Rwy 6-24