

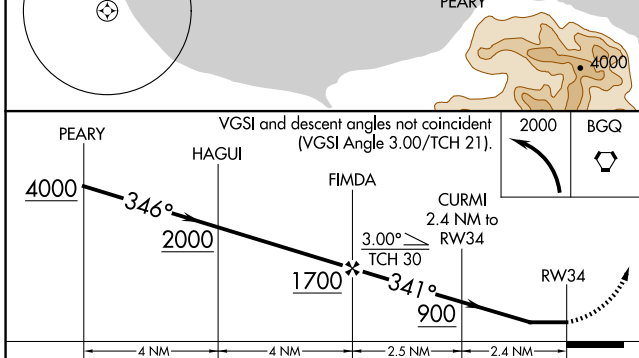
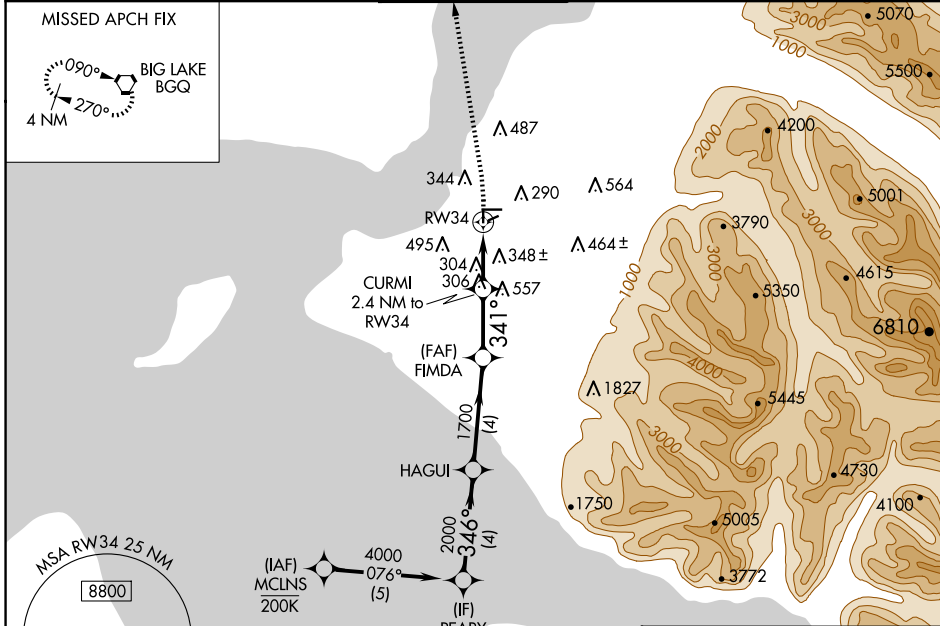
WAAS CH 47267 W34A	APP CRS 341°	Rwy Idg 2640 TDZE 131 Apt Elev 143
--	------------------------	---

RNAV (GPS) RWY 34

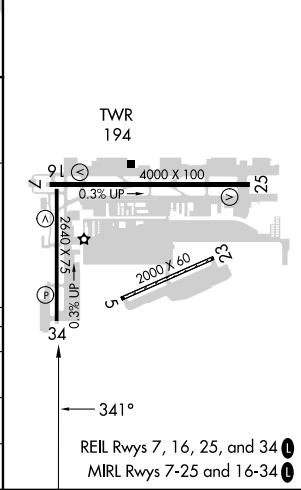
MERRILL FLD (MRI) (PAMR)

RNP APCH - GPS.		MISSED APPROACH: Climbing left turn to 2000 direct BQG VORTAC and hold.
RADAR required for procedure entry.		
<p>⚠ When local altimeter setting not received, use Ted Stevens Anchorage Intl altimeter setting and increase all MDAs 20 feet. Procedure NA at night. ⚠ Helicopter visibility reduction below 1 SM NA.</p>		

ATIS 124.25	ANCHORAGE APP CON 119.1 363.2	MERRILL TOWER * 126.0 (CTAF) 0	GND CON 121.7	UNICOM 122.95
-----------------------	---	--	-------------------------	-------------------------



ELEV 143	TDZE 131
----------	----------



CATEGORY	A	B	C	D
LP MDA	560-1	429 (500-1)		NA
LNAV MDA	600-1	469 (500-1)		NA
CIRCLING	740-1 597 (600-1)	800-1 657 (700-1)		NA

AK, 26 DEC 2024 to 20 FEB 2025

AK, 26 DEC 2024 to 20 FEB 2025