

LOC/DME I-PHY 111.1 Chan 48	APP CRS 033°	Rwy Idg 4748 TDZE 1177 Apt Elev 1182
---	------------------------	---

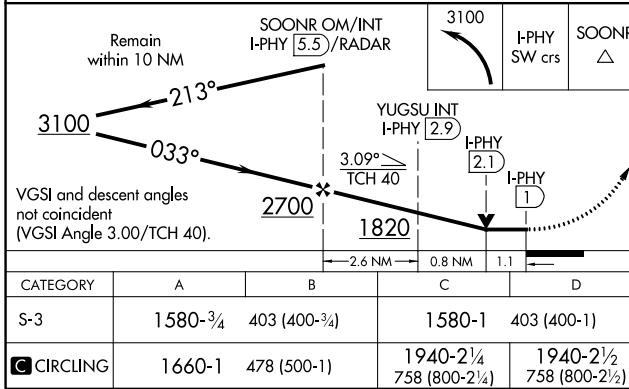
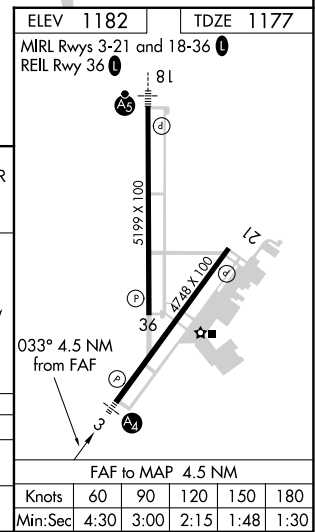
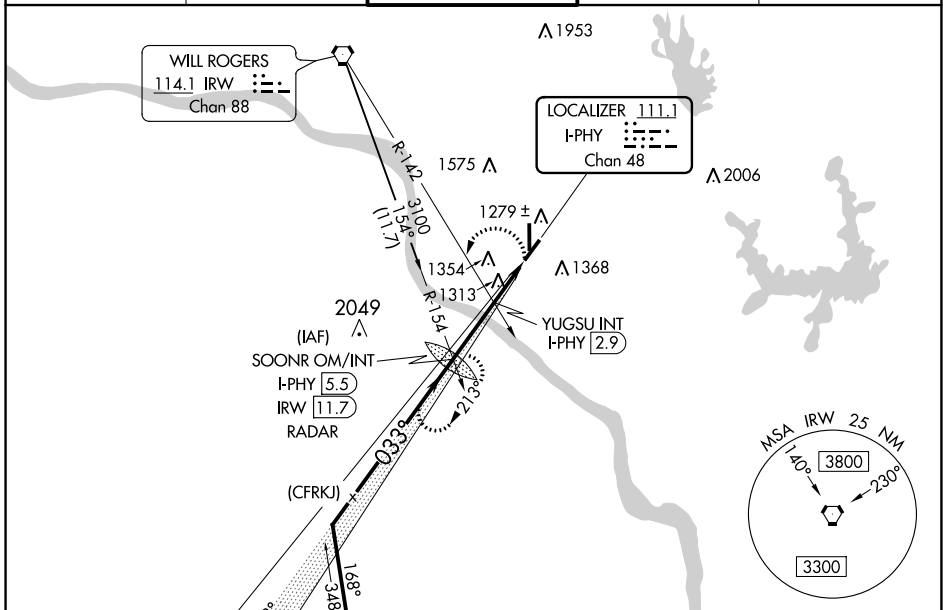
LOC RWY 3

UNIVERSITY OF OKLAHOMA WESTHEIMER (OUN)

⚠ When local altimeter setting not received, use Will Rogers World altimeter setting and increase all MDA 60 feet; increase S-3 Cat C/D visibility ¼ mile, Circling Cat C/D ¼ mile. For inop MALS increase S-3 Cat C/D visibility to 1½ mile. For inop MALS when using Will Rogers World altimeter setting, increase S-3 Cat C/D visibility to 1½ mile. Circling NA southeast of Rwy 3 and 21.

MALS MISSED APPROACH: Climbing left turn to 3100 on I-PHY SW course to SOONR OM/INT/I-PHY 5.5 DME/RADAR and hold, continue climb-in-hold to 3100.

AWOS-3 119.55	OKE CITY APP CON 120.45 288.325	WESTHEIMER TOWER* 118.0 (CTAF) 0	GND CON 121.6	UNICOM 122.95
-------------------------	---	---	-------------------------	-------------------------



SC-1, 23 MAR 2023 to 20 APR 2023

SC-1, 23 MAR 2023 to 20 APR 2023