

LOC/DME I-HZJ 110.75 Chan 44 (Y)	APP CRS 094°	Rwy Idg TDZE Apt Elev 7500 680 680
---	------------------------	--

ILS Z RWY 10R (SA CAT I)

CHICAGO O'HARE INTL (ORD)

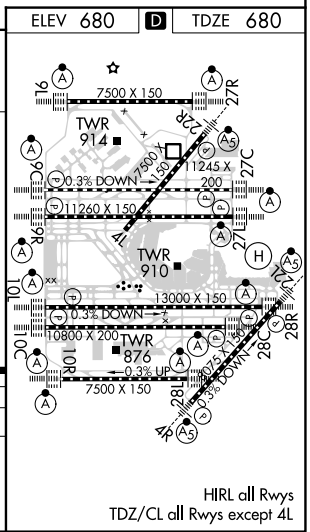
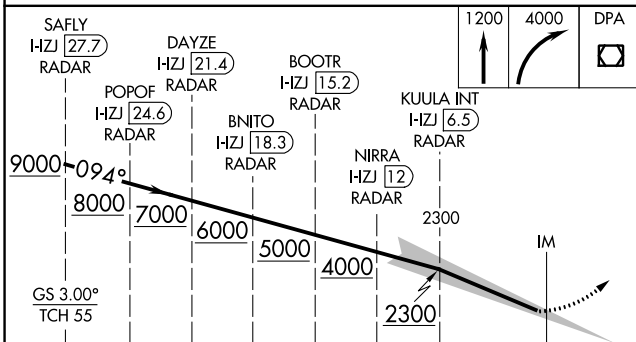
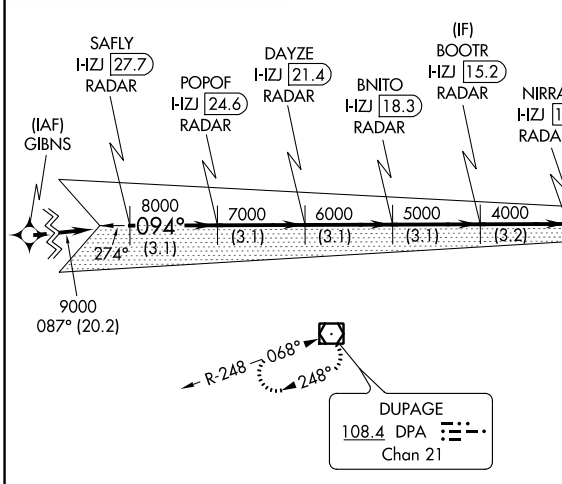
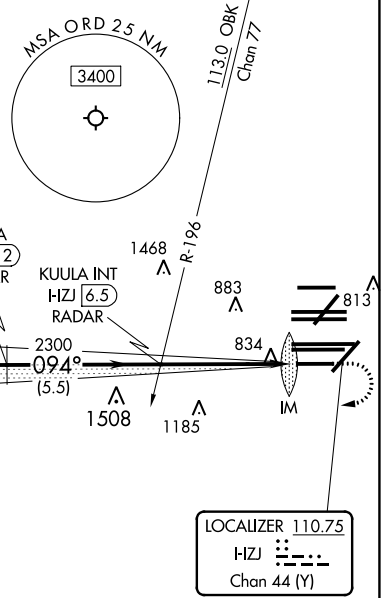
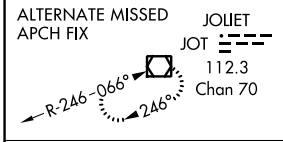
RNAV 1-GPS or RADAR required for procedure entry. DME or RADAR required.
From GIBNS: RNAV-1 GPS required.

Simultaneous approach authorized. Requires specific OPSPEC, MSPEC, or LOA approval and use of HUD to DH.



MISSED APPROACH: Climb to 1200 then climbing right turn to 4000 direct DPA VOR/DME and hold.

D-ATIS 135.4 282.225	CHICAGO APP CON 119.0 292.125	O'HARE TOWER 133.0 348.0	GND CON 124.125 (TWR NORTH) 118.05 (TWR SOUTH) 226.675 (ALL TWRs)	(TWR CENTER) 121.75 (OBND) 121.9 (IBND)	CLNC DEL 121.6	CPDLC
--	---	------------------------------------	---	---	--------------------------	-------



1200	4000	DPA					
↑	↷	☐					
3.1 NM	3.1 NM	3.1 NM	3.1 NM	3.2 NM	5.5 NM	4.9 NM	1113'
CATEGORY	A		B		C	D	
S-ILS 10R	RA 165/14		150 DA 830				
SA CATEGORY I ILS-SPECIAL AIRCREW & AIRCRAFT CERTIFICATION REQUIRED							

EC-3, 23 MAR 2023 to 20 APR 2023

EC-3, 23 MAR 2023 to 20 APR 2023