

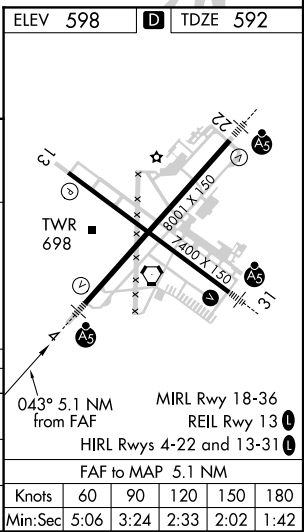
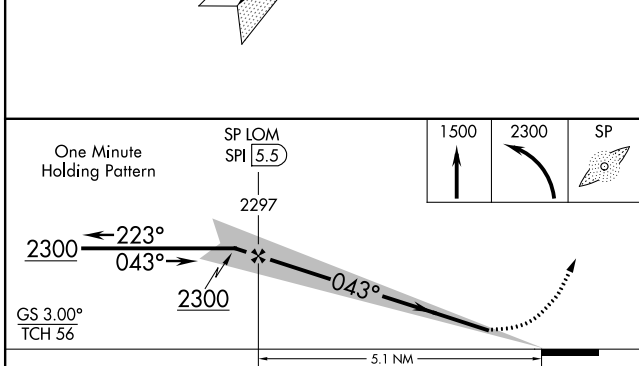
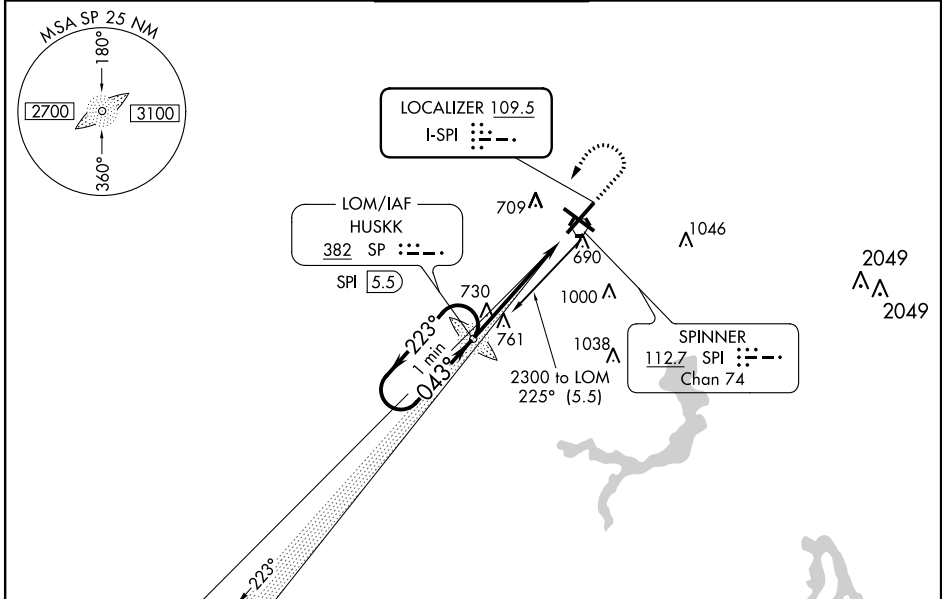
LOC I-SPI 109.5	APP CRS 043°	Rwy Idg TDZE Apt Elev	7927 592 598
---------------------------	------------------------	-----------------------------	---

ILS or LOC RWY 4

ABRAHAM LINCOLN CAPITAL (SPI)

ADF Required.	MALSR	MISSED APPROACH: Climb to 1500 then climbing left turn to 2300 direct HUSKK LOM and hold.
When local altimeter setting not received, use Lincoln altimeter setting and increase all DA 57 feet, all MDA 60 feet, increase S-LOC and Circling Cat C/D visibility ¼ mile. For inop ALS when using Lincoln altimeter setting, increase S-LOC 4 Cats C and D visibility to 1½ SM. ASR *RVR 1800 authorized with use of FD or AP or HUD to DA (NA when using Lincoln altimeter setting).		

ATIS 127.65 270.1	SPRINGFIELD APP CON * 126.15 323.0	SPRINGFIELD TOWER * 121.3 (CTAF) 257.8	GND CON 121.9 348.6	CLNC DEL 121.7	UNICOM 122.95
-----------------------------	--	--	-------------------------------	--------------------------	-------------------------



CATEGORY	A	B	C	D
S-ILS 4	* 792/24 200 (200-½)			
S-LOC 4	1020/24	428 (500-½)	1020/40	428 (500-¾)
CIRCLING	1040-1 442 (500-1)	1100-1 502 (600-1)	1360-2¼ 762 (800-2¼)	1380-2½ 782 (800-2½)