


LOC/DME I-LHM 108.75	APP CRS 151°	Rwy Idg TDZE Apt Elev	6001 121 121
Chan 24 (Y)			

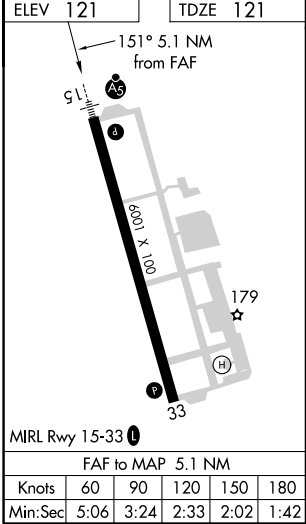
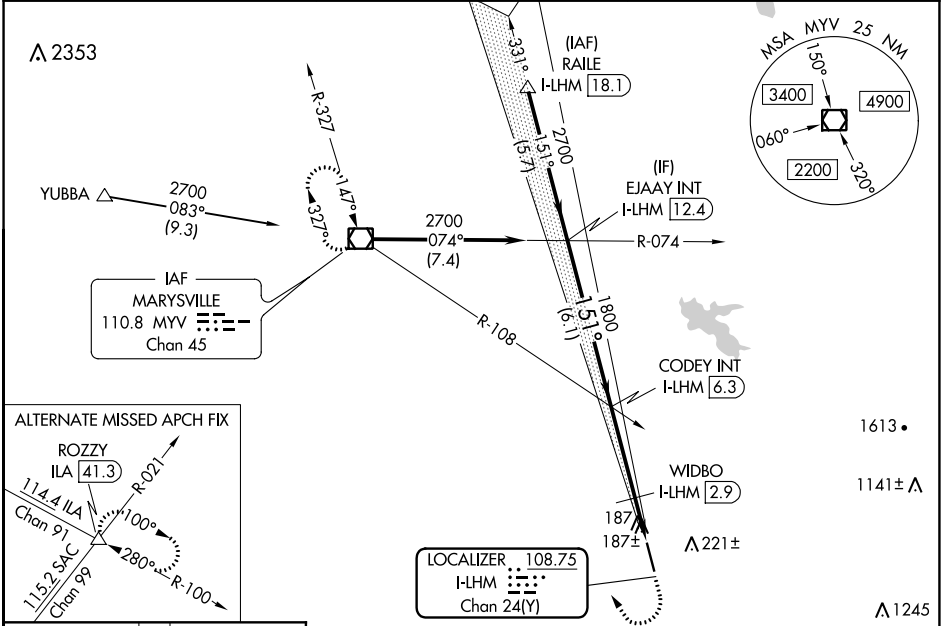
ILS or LOC RWY 15
LINCOLN RGNL/KARL HARDER FLD (LHM)




NA When local altimeter setting not received, use Beale AFB altimeter setting and increase DA to 361 feet and all MDAs 40 feet; increase S-LOC 1.5 Cat C/D and Circling Cat D visibility ¼ SM. VDP NA with Beale AFB altimeter setting. WIDBO fix minimums: for inop ALS, increase S-LOC 1.5 Cat D visibility to 1 mile.

MAISLR 

MISSED APPROACH: Climb to 1200 then climbing right turn to 3000 direct MYV VOR/DME and hold.

AWOS-3 124.25	NORCAL APP CON 125.4 259.1	UNICOM 123.0 (CTAF) 
--------------------------------	---	--



EJAAY INT I-LHM 12.4	CODEY INT I-LHM 6.3	WIDBO I-LHM 2.9	1200	3000	MYV
					
2700	1800	1800	*I-LHM 2.1	*LOC only	I-LHM 1.2
GS 3.00° TCH 46	6.1 NM	3.4 NM	0.8 NM	0.9 NM	**600
CATEGORY	A	B	C	D	
S-ILS 15	321-½ 200 (200-½)				
S-LOC 15	600-½	479 (500-½)	600-¾ 479 (500-¾)	600-1 479 (500-1)	
CIRCLING	600-1	479 (500-1)	600-1½ 479 (500-1½)	760-2 639 (700-2)	
WIDBO FIX MINIMUMS					
S-LOC 15	460-½ 339 (400-½)		460-¾ 339 (400-¾)		
CIRCLING	520-1 399 (400-1)	580-1 459 (500-1)	600-1½ 479 (500-1½)	760-2 639 (700-2)	

SW-2, 16 JUN 2022 to 14 JUL 2022

SW-2, 16 JUN 2022 to 14 JUL 2022