

(ROCKY1.ROCKY) 18032
ROCKY ONE DEPARTURE

AL-5733 (FAA)

EAGLE CREEK AIRPARK (EYE)
 INDIANAPOLIS, INDIANA

ASOS
 121.575
 CLNC DEL
 128.6
 INDIANAPOLIS DEP CON
 119.05 317.8

SPINNER
 112.7 SPI
 Chan 74
 N39°50.38'-W89°40.66'
 L-27, H-5

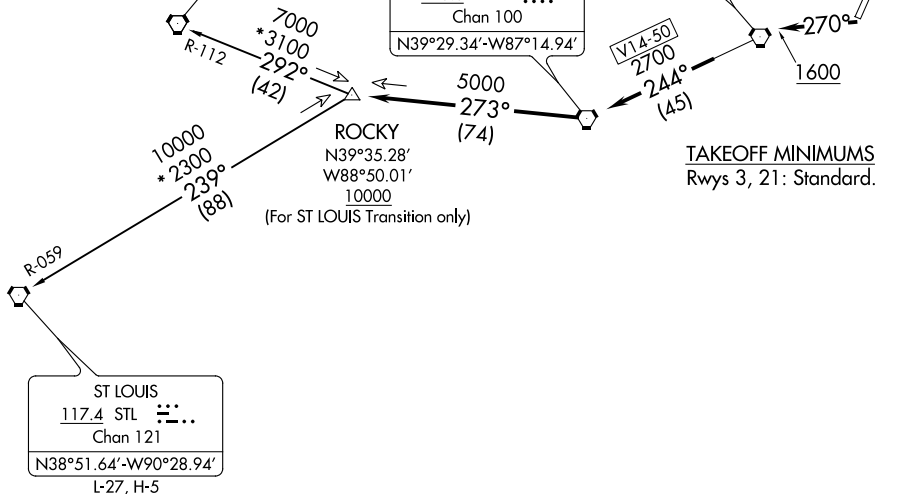
**TOP ALTITUDE:
 ASSIGNED BY ATC**

TERRE HAUTE
 115.3 TTH
 Chan 100
 N39°29.34'-W87°14.94'

BRICKYARD
 116.3 VHP
 Chan 110

ROCKY
 N39°35.28'
 W88°50.01'
 10000
 (For ST LOUIS Transition only)

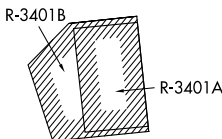
TAKEOFF MINIMUMS
 Rwy 3, 21: Standard.



EC-2, 16 JUN 2022 to 14 JUL 2022

EC-2, 16 JUN 2022 to 14 JUL 2022

- NOTE: RADAR required.
- NOTE: Select appropriate localizer/DME frequency/channel prior to departure.
- NOTE: Turbojets accelerate to 250K until reaching 10000, if unable advise ATC.
- NOTE: Assigned to aircraft with a requested altitude of 11000 or above.



NOTE: Chart not to scale.

DEPARTURE ROUTE DESCRIPTION

TAKEOFF RWY 3: Climb heading 031° to 2100, then on assigned heading to assigned altitude. Thence
TAKEOFF RWY 21: Climb heading 270° to 1600, then on assigned heading to assigned altitude. Thence

. . . . expect RADAR vectors to join VHP R-244 to TTH VORTAC, then via TTH R-273 to ROCKY INT then via transition or assigned route. Expect clearance to requested altitude ten minutes after departure.

SPINNER TRANSITION (ROCKY1.SPI): From over ROCKY INT on SPI R-112 to SPI VORTAC.
ST LOUIS TRANSITION (ROCKY1.STL): From over ROCKY INT on STL R-059 to STL VORTAC.

ROCKY ONE DEPARTURE
(ROCKY1.ROCKY) 01FEB18

INDIANAPOLIS, INDIANA
 EAGLE CREEK AIRPARK (EYE)