

APP CRS	Rwy ldg	5001
108°	TDZE	790
	Apt Elev	790

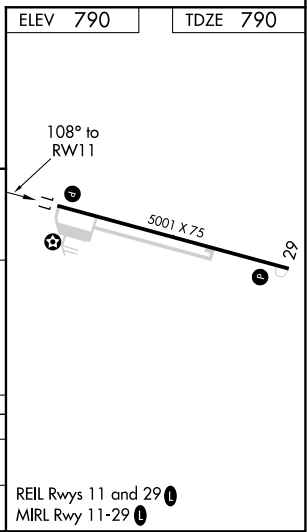
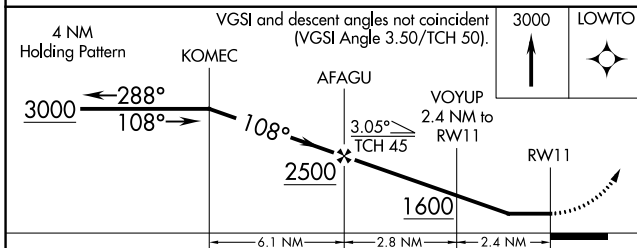
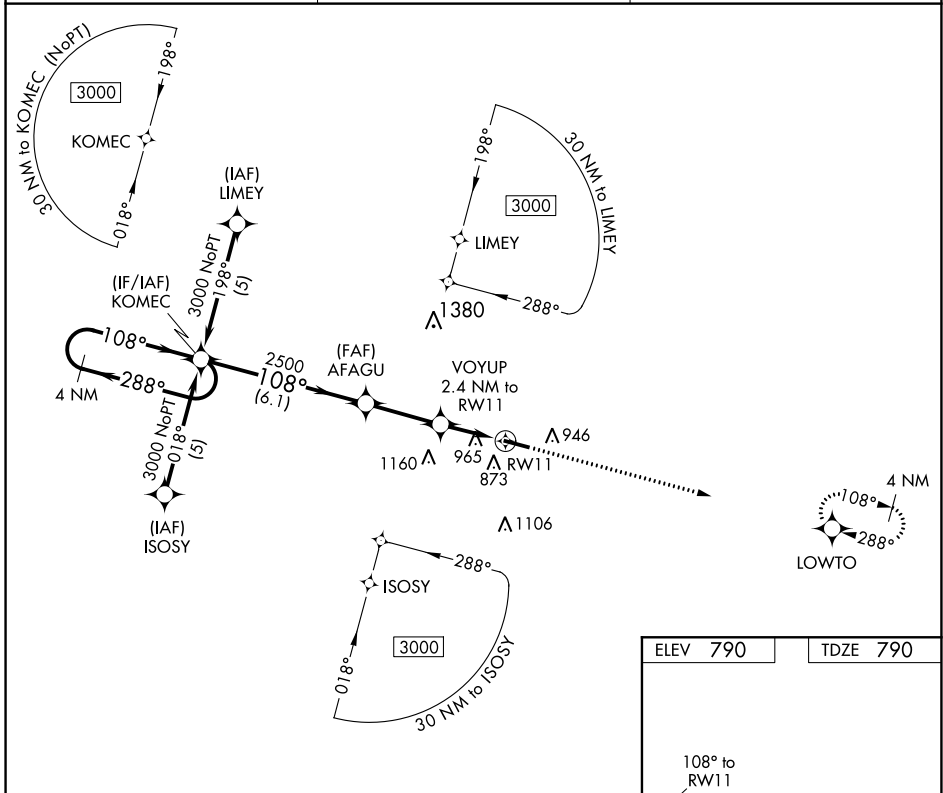
RNAV (GPS) RWY 11

FULTON COUNTY (R.C.R)

⚠ DME/DME RNP-0.3 NA. Visibility reduction by helicopters NA. When local altimeter setting not received, use Goshen altimeter setting: increase all MDA 100 feet and visibility LNAV Cats C and D and Circling Cats C and D ¼ SM.

⚠ MISSED APPROACH: Climb to 3000 direct LOWTO and hold.

AWOS-3 118.775	SOUTH BEND APP CON ★ 132.05 257.8	UNICOM 122.7 (CTAF) 0
--------------------------	---	---------------------------------



CATEGORY	A	B	C	D
LNAV MDA	1220-1	430 (500-1)	1220-1¼ 430 (500-1¼)	1220-1½ 430 (500-1½)
CIRCLING	1280-1 490 (500-1)	1360-1 570 (600-1)	1480-2 690 (700-2)	1620-2¾ 830 (900-2¾)

REIL Rwy 11 and 29 0
MIRL Rwy 11-29 0

EC-2, 16 JUN 2022 to 14 JUL 2022

EC-2, 16 JUN 2022 to 14 JUL 2022