

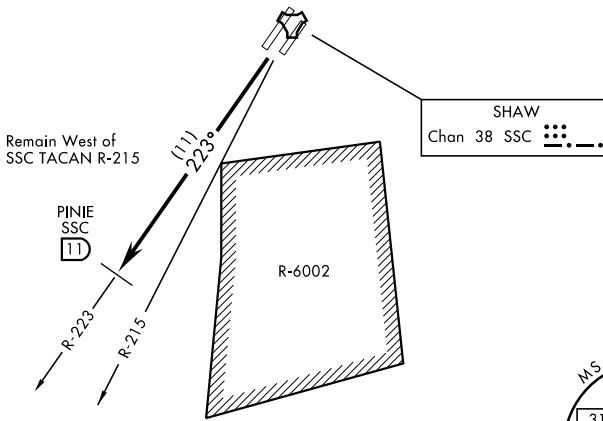
PINIE FOUR DEPARTURE (PINIE4•PINIE)

ATIS ★ 132.125 270.1
 CLNC DEL
 126.1 275.8
 GND CON
 126.1 275.8
 SHAW TOWER ★
 126.65 254.25
 SHAW DEP CON
 125.4 318.1
 JACKSONVILLE CENTER
 124.7 298.9

SHL-409 [USAF]

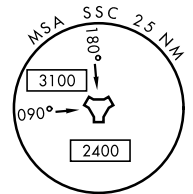
RWY 22L, Radio-tower 5137' from DER, 1701' left of centerline, 140' AGL/369' MSL.
 RWY 22L, F16 tail 46' from DER, 224' right of centerline, 16' AGL/249' MSL.
 RWY 22L, Terrain 0' inward of DER, 500' right of centerline, 236' MSL.
 RWY 22L, GS-rwy 04L 563' from DER, 500' right of centerline, 40' AGL/273' MSL.

1573
▲



RADAR REQUIRED
 (When R-6002 is active)

EMERG SAFE ALT 100 NM 3800



DEPARTURE ROUTE DESCRIPTION

TAKE-OFF RWY 22L/R: Climbing to 2000, intercept SSC TACAN R-223 until SSC 11 DME, then as directed by ATC.