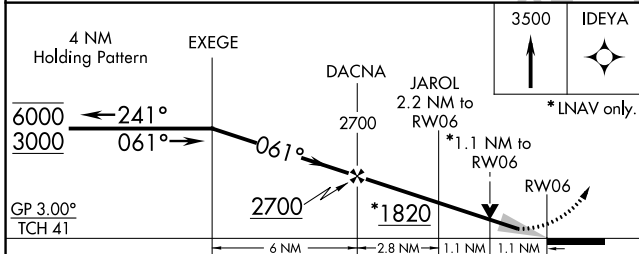
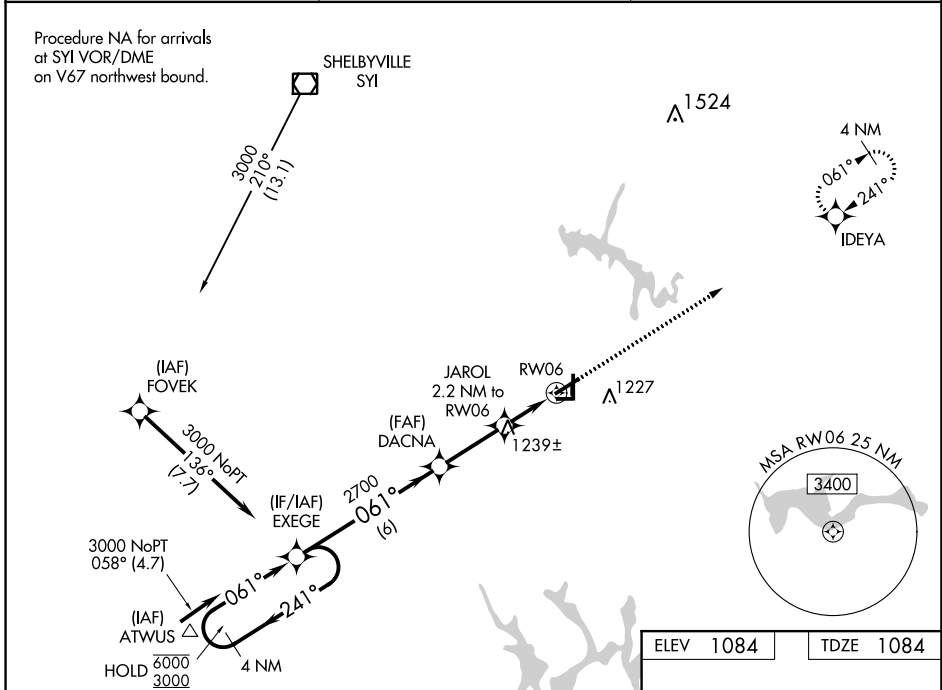


WAAS CH 99324 W06A	APP CRS 061°	Rwy Idg TDZE Apt Elev	5501 1084 1084
--	------------------------	-----------------------------	---

RNAV (GPS) RWY 6

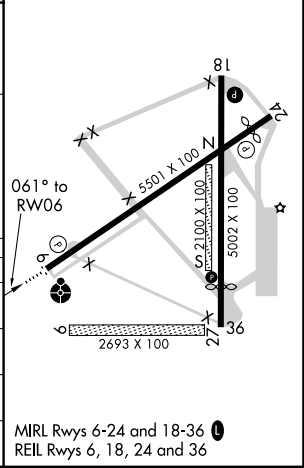
TULLAHOMA RGNL AIRPORT/WM NORTHERN FIELD (THA)

RNP APCH.		ODALS	MISSED APPROACH: Climb to 3500 direct IDEYA and hold.
<p>▼ Circling NA to Rws 9 and 27. Inop table does not apply. For uncompensated Baro-VNAV systems, LNAV/VNAV NA below -17°C or above 54°C.</p>			
AWOS-3 128.325	MEMPHIS CENTER 128.15 323.125	UNICOM 123.0 (CTAF)	



ELEV 1084	TDZE 1084
-----------	-----------

CATEGORY	A	B	C	D
LPV DA		1334-3/4	250 (300-3/4)	
LNAV/VNAV DA		1525-13/8	441 (500-13/8)	
LNAV MDA	1500-1	416 (500-1)	1500-11/8	416 (500-11/8)
CIRCLING	1540-1 456 (500-1)	1560-1 476 (500-1)	1580-11/2 496 (500-11/2)	1640-2 556 (600-2)



SE-1, 15 JUL 2021 to 12 AUG 2021

SE-1, 15 JUL 2021 to 12 AUG 2021