

WAAS CH <b>90239</b> <b>W18A</b>	APP CRS <b>181°</b>	Rwy Idg <b>4894</b> TDZE <b>738</b> Apt Elev <b>738</b>
--	------------------------	---

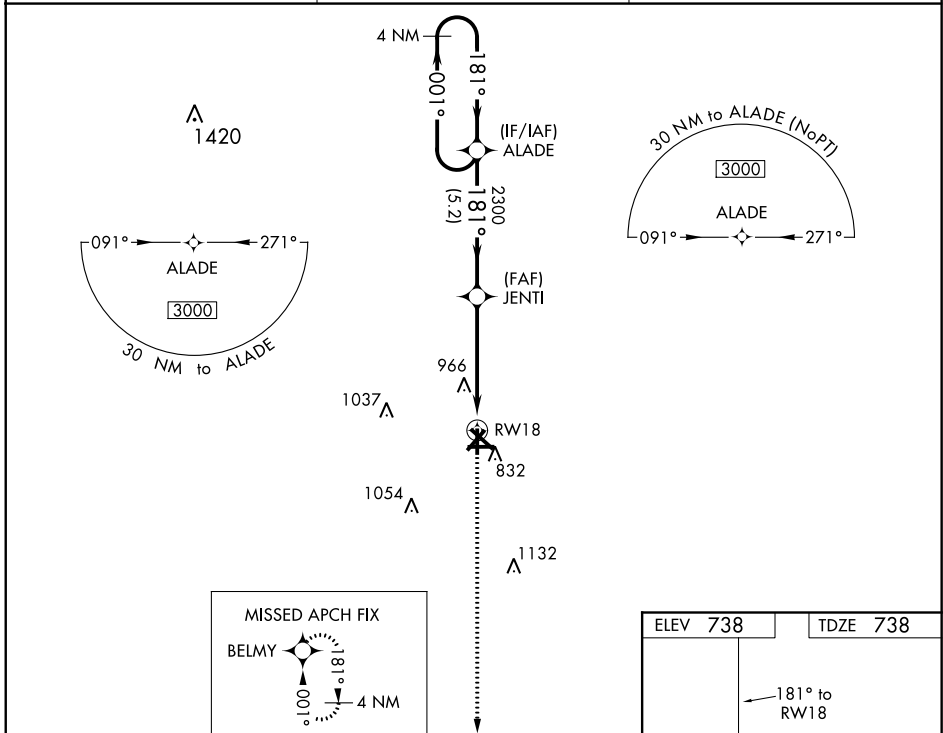
# RNAV (GPS) RWY 18

RANTOUL NATL AVN CNTR-FRANK ELLIOTT FIELD (TIP)

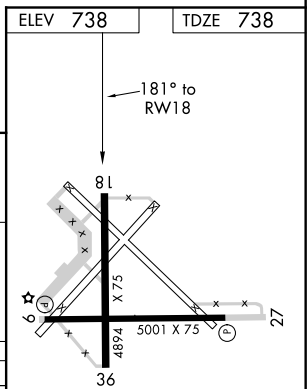
For uncompensated Baro-VNAV systems, LNAV/VNAV NA below -16°C (4°F) or above 54°C (130°F). Baro-VNAV and VDP NA when using Champaign Urbana altimeter setting. DME/DME RNP-0.3 NA. Helicopter visibility reduction below 3/4 SM NA. When local altimeter setting not received, use Champaign Urbana altimeter setting and increase LPV DA to 1056 and all visibilities to 1 1/2 mile, increase LNAV/VNAV DA to 1312 and all visibilities to 2 mile; increase all MDA 60 feet; increase LNAV and Circling Cats C/D visibility 1/4 mile.

**MISSED APPROACH:** Climb to 3000 direct BELMY and hold.

AWOS-3 <b>119.025</b>	CHAMPAIGN APP CON ★ <b>121.35 285.65</b>	UNICOM <b>123.0 (CTAF) 0</b>
--------------------------	---	---------------------------------



4 NM Holding Pattern		ALADE	JENTI	3000	BELMY
GP 3.00° TCH 40		181°	181°	* 1.6 NM to RWY 18	* LNAV only.
		2300	2300	RWY 18	
		5.2 NM	3.2 NM	1.6 NM	
CATEGORY	A	B	C	D	
LPV DA	1015-1		277 (300-1)		
LNAV/VNAV DA	1271-17/8		533 (600-17/8)		
LNAV MDA	1280-1	542 (600-1)	1280-1 5/8	542 (600-1 5/8)	
CIRCLING	1280-1	542 (600-1)	1380-1 3/4	1420-2 1/4	682 (700-2 1/4)



REIL Rwy 9 and 27 0  
MIRL Rwy 9-27 and 18-36 0

EC-3, 17 JUN 2021 to 15 JUL 2021

EC-3, 17 JUN 2021 to 15 JUL 2021