

LOC I-MWO 111.1	APP CRS 233°	Rwy Idg TDZE Apt Elev	5801 650 651
---------------------------	------------------------	-----------------------------	---

LOC RWY 23

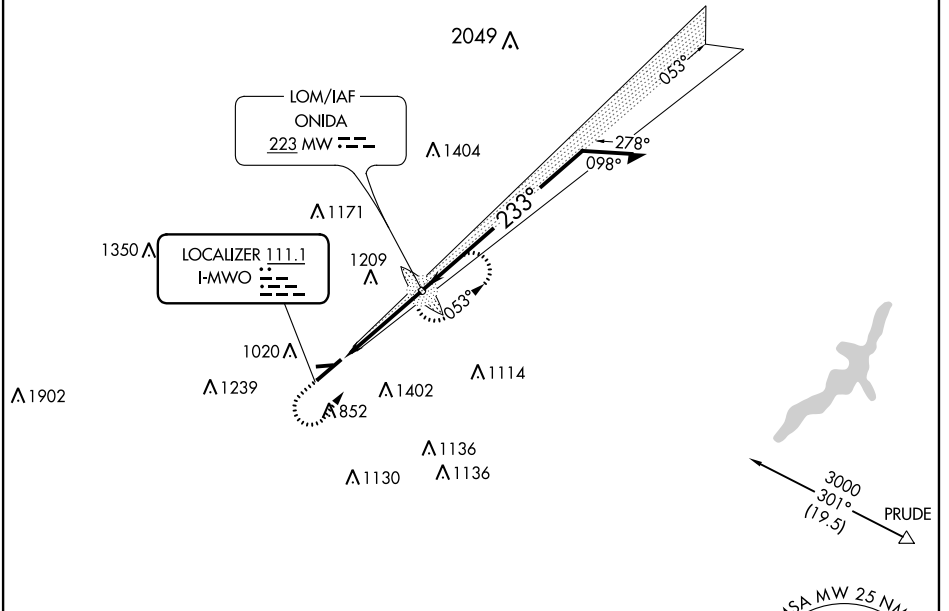
MIDDLETOWN RGNL/HOOK FIELD (MWO)

ADF required.

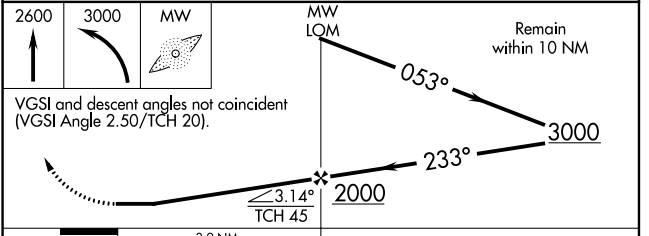
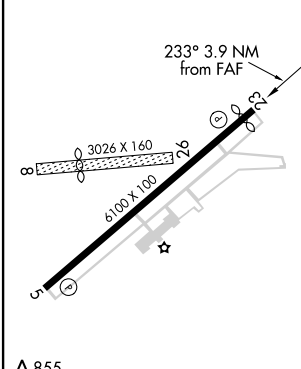
▼ Circling Rwy 5 NA at night. Circling NA to Rwys 8 and 26. Rwy 23 helicopter visibility reduction below ¼ SM NA. When local altimeter not received, use Dayton-Wright Brothers altimeter setting; increase all MDAs 80 feet and S-23 visibility Cats C and D ¼ SM; increase Circling visibility Cat C ¼ SM.

MISSED APPROACH: Climb to 2600 then climbing left turn to 3000 direct MW LOM and hold.

AWOS-3 120.025	COLUMBUS APP CON 118.85 269.275	UNICOM 123.0 (CTAF)
--------------------------	---	-------------------------------



ELEV 651	TDZE 650
----------	----------



CATEGORY	A	B	C	D
S-23	1140-1	490 (500-1)	1140-1⅜ 490 (500-1⅜)	1140-1½ 490 (500-1½)
CIRCLING	1480-1¼	829 (900-1¼)	1480-2½ 829 (900-2½)	1940-3 1289 (1300-3)

LOC RWY 23

EC-2, 25 MAR 2021 to 22 APR 2021

EC-2, 25 MAR 2021 to 22 APR 2021