

LOC/DME I-UDL 110.7 Chan 44	APP CRS 276°	Rwy Idg TDZE Apt Elev 8394 7 65
--	------------------------	---

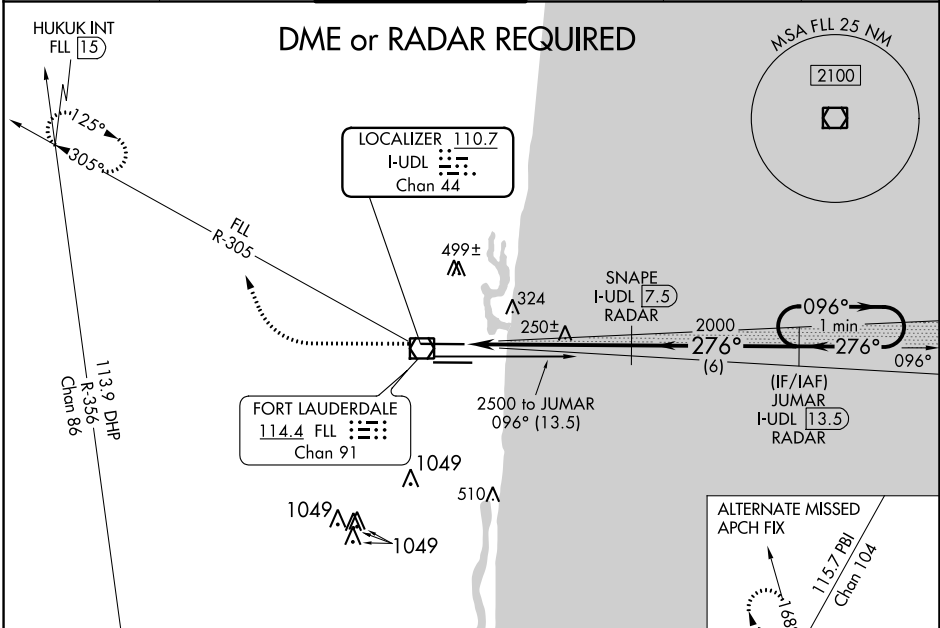
ILS or LOC RWY 28R

FORT LAUDERDALE/HOLLYWOOD INTL (FLL)

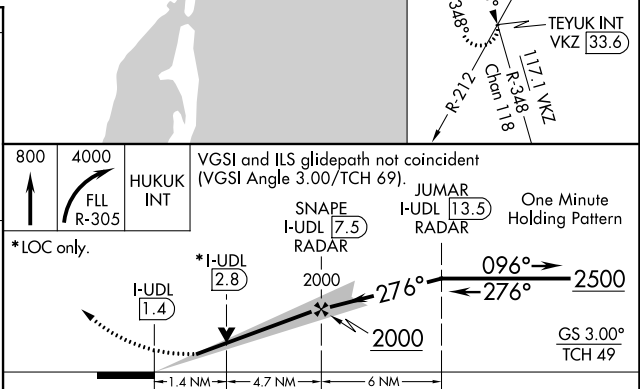
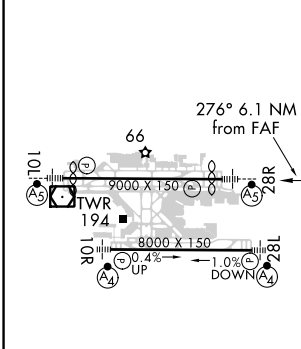
⚠ For inop MALSRR, increase S-LOC 28R Cat C/D visibility to 1 ½ mile. Simultaneous approach authorized. Inop table does not apply to S-ILS 28R.

MALSRR MISSED APPROACH: Climb to 800 then climbing right turn to 4000 on FLL VOR/DME R-305 to HUKUK INT/FLL 1.5 DME and hold, continue climb-in-hold to 4000.

D-ATIS 135.0	MIAMI APP CON 133.775 285.6	FORT LAUDERDALE TOWER 119.3 257.8	GND CON 121.4	CLNC DEL 128.4	CPDLC
------------------------	---------------------------------------	--	-------------------------	--------------------------	-------



ELEV 65	D	TDZE 7
---------	----------	--------



CATEGORY	A	B	C	D
S-ILS 28R	257/40		250 (200-¾)	
S-LOC 28R	520/24	513 (500-½)	520/55	513 (500-1)
C CIRCLING	680-1	615 (700-1)	800-2¼	800-2½

SE-3, 03 DEC 2020 to 31 DEC 2020

SE-3, 03 DEC 2020 to 31 DEC 2020