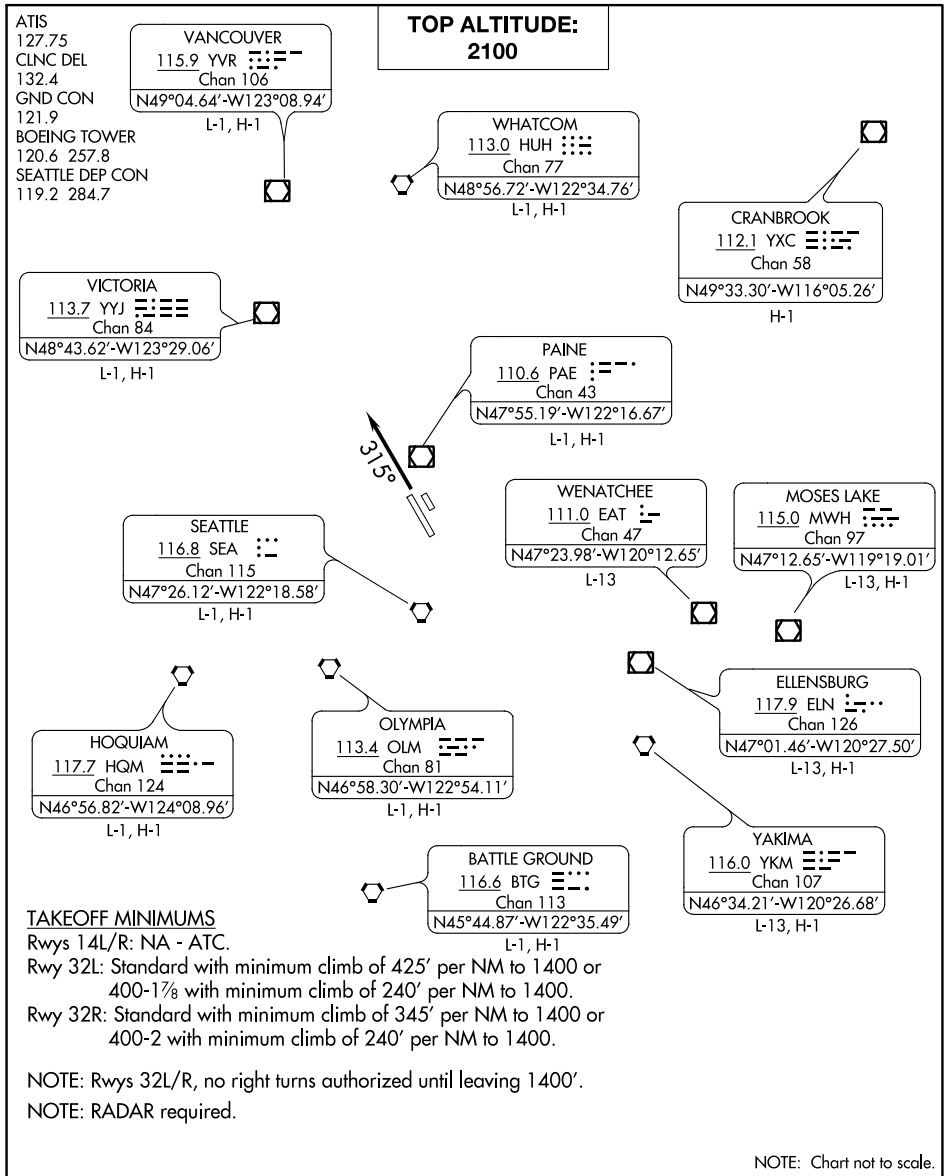


# NEEDLE ONE DEPARTURE

BOEING FIELD/KING COUNTY INTL (BFI)  
SEATTLE, WASHINGTON

AL-384 (FAA)



NW-1, 05 NOV 2020 to 03 DEC 2020

NW-1, 05 NOV 2020 to 03 DEC 2020

## DEPARTURE ROUTE DESCRIPTION

**TAKEOFF RUNWAYS 32L/R:** Climb heading 315°, maintain 2100 or ATC assigned altitude, for RADAR vectors to assigned route/fix, expect clearance to filed altitude within 3 minutes after departure.

# NEEDLE ONE DEPARTURE

SEATTLE, WASHINGTON  
BOEING FIELD/KING COUNTY INTL (BFI)