

APP CRS	Rwy Idg	12000
082°	TDZE	5352
	Apt Elev	5434


RNAV (RNP) Z RWY 7

DENVER INTL (DEN)

RNP AR APCH.

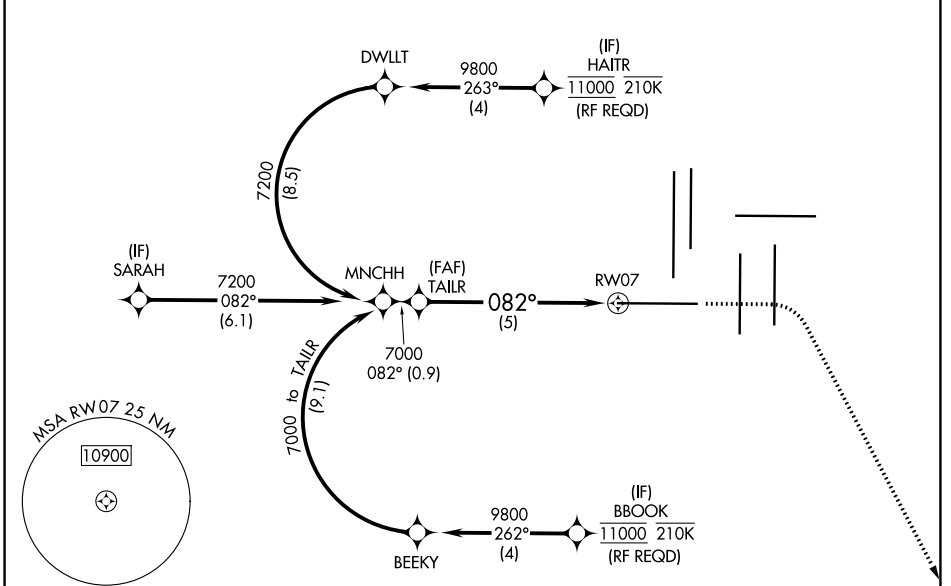
Simultaneous approach authorized. For uncompensated Baro-VNAV systems, procedure NA below -23°C or above 54°C. For inop ALS, increase RNP 0.15 all Cats visibility to RVR 4000, and increase RNP 0.30 all Cats visibility to RVR 6000.

MALSR



MISSED APPROACH: Climb to 5900 then climbing right turn to 10000 direct CIDMU and track 081° to LIMEX and hold.

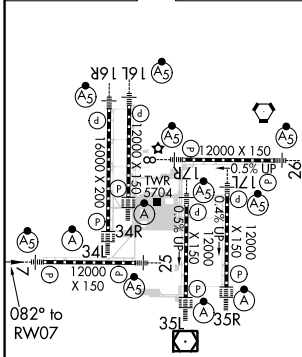
D-ATIS	DENVER APP CON	DENVER TOWER	GND CON	CLNC DEL	CPDLC
ARR 125.6 379.9	119.3 307.3 120.35 379.3 (NORTH) (SOUTH)	128.75 273.55	127.5 379.175	118.75	
DEP 134.025					



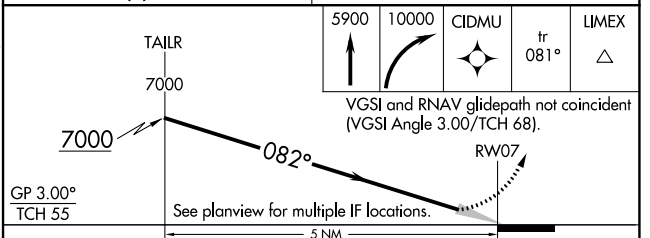
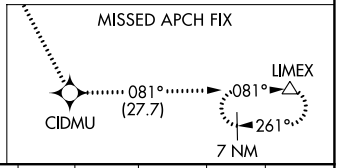
SW-1, 10 SEP 2020 to 08 OCT 2020

SW-1, 10 SEP 2020 to 08 OCT 2020

ELEV 5434	D	TDZE 5352
-----------	----------	-----------



HIRL all Rwys
TDZ/CL Rwys 7, 16L, 16R, 17R,
26, 34L, 34R, 35L, 35R



GP 3.00°				
TCH 55				
CATEGORY	A	B	C	D
RNP 0.15 DA		5602/24	250 (200-½)	
RNP 0.30 DA		5753/40	401 (400-¾)	

AUTHORIZATION REQUIRED