

WAAS CH <b>56214</b> <b>W36A</b>	APP CRS <b>357°</b>	Rwy Idg <b>12901</b> TDZE <b>1175</b> Apt Elev <b>1219</b>
--	------------------------	--

# RNAV (GPS) RWY 36

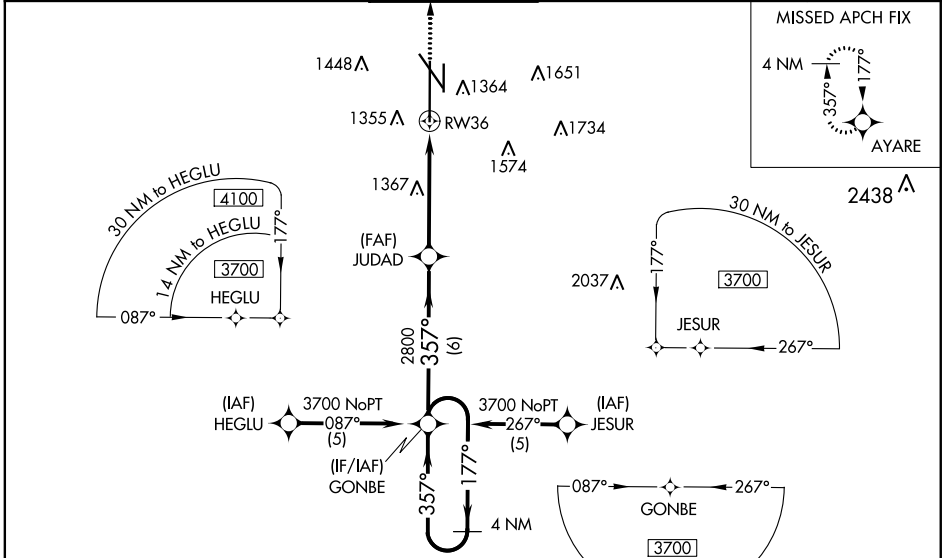
LINCOLN (LNK)

**⚠** For uncompensated Baro-VNAV systems, LNAV/VNAV NA below -17°C (2°F) or above 54°C (130°F). DME/DME RNP-0.3 NA. When local altimeter setting not received, use Beatec altimeter setting and increase all DA 91 feet, all MDA 100 feet and LNAV/VNAV all Cats, LNAV Cat C and D, and Circling Cats C and D visibility ¼ mile and LPV all Cats visibility ½ mile. For inop MALSRR increase LPV all Cats visibility to 1 mile. For inop MALSRR when using Beatec altimeter setting increase LPV all Cats visibility to 1 ½ mile. Baro-VNAV and VDP NA when using Beatec altimeter setting.



**MISSED APPROACH:**  
Climb to 3800 direct AYARE and hold.

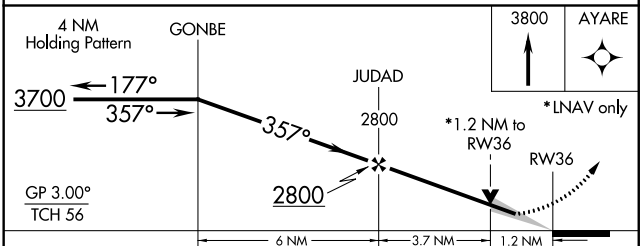
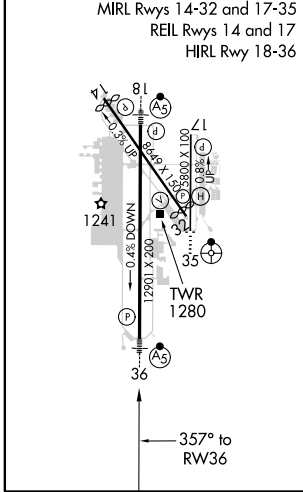
ATIS <b>118.05 290.9</b>	OMAHA APP CON <b>124.0 270.3</b>	<b>LINCOLN TOWER *</b> <b>118.5 (CTAF) 253.5</b>	GND CON <b>121.9 275.8</b>	CLNC DEL <b>120.7 225.4</b>	UNICOM <b>122.95</b>
-----------------------------	-------------------------------------	---	-------------------------------	--------------------------------	-------------------------



NC-2, 10 SEP 2020 to 08 OCT 2020

NC-2, 10 SEP 2020 to 08 OCT 2020

ELEV 1219	<b>D</b>	TDZE 1175
-----------	----------	-----------



CATEGORY	A	B	C	D
LPV DA	1493/24		318 (300-½)	
LNAV/VNAV DA	1669/60		494 (500-1¼)	
LNAV MDA	1620/24	445 (500-½)	1620/40 445 (500-¾)	1620/50 445 (500-1)
CIRCLING	1720-1 501 (600-1)	1760-1 541 (600-1)	1760-1½ 541 (600-1½)	1820-2 601 (700-2)