

WAAS CH 61137 W36A	APP CRS 001°	Rwy ldg TDZE 736 Apt Elev 738	4894
--	------------------------	---	-------------

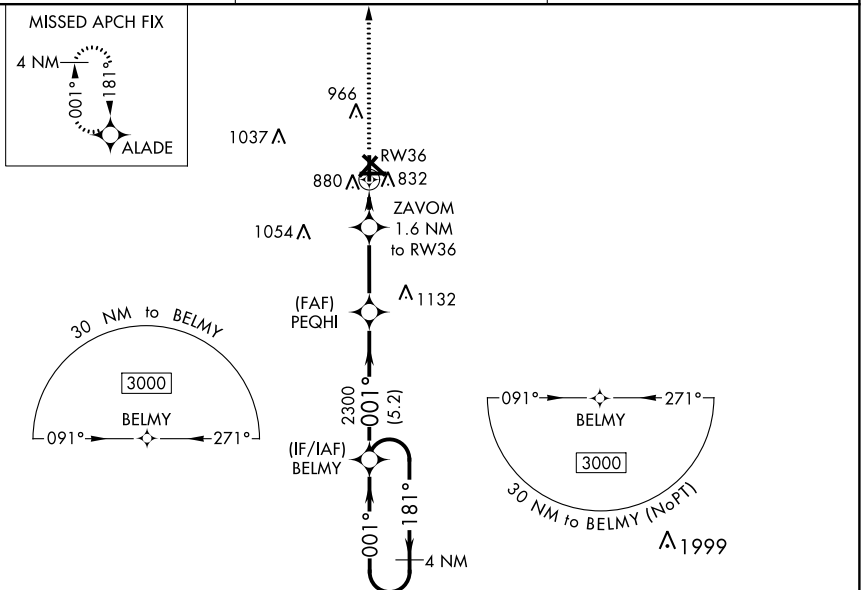
RNAV (GPS) RWY 36

RANTOUL NATL AVN CNTR-FRANK ELLIOTT FIELD (TIP)

▼ Baro-VNAV NA when using Champaign Urbana altimeter setting. For uncompensated Baro-VNAV systems, LNAV/VNAV NA below -16°C (4°F) or above 54°C (130°F). DME/DME RNP-0.3 NA. When local altimeter setting not received, use Champaign Urbana altimeter setting and increase all DA 41 feet and all MDA 60 feet; increase LNAV/VNAV all Cats visibility 1/8 mile and LNAV and Circling Cats C/D visibility 1/4 mile. Helicopter visibility reduction below 3/4 SM NA.

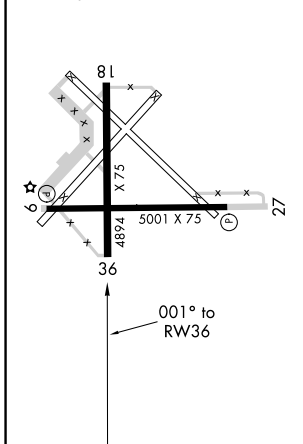
▲ MISSED APPROACH: Climb to 3000 direct ALADE and hold.

AWOS-3 119.025	CHAMPAIGN APP CON ★ 121.35 285.65	UNICOM 123.0 (CTAF) 0
--------------------------	---	---------------------------------



ELEV 738	TDZE 736
-----------------	-----------------

REIL Rwy 9 and 27 **0**
MIRL Rwy 9-27 and 18-36 **0**



3000	ALADE	BELMY	4 NM Holding Pattern	
*LNAV only	ZAVOM 1.6 NM to RW36	PEQHI 2300	181° → 3000	
	RW36	1280*	← 001°	
	1.6 NM	5.2 NM	GP 3.00° TCH 40	
CATEGORY	A	B	C	D
LPV DA	986-1 250 (300-1)			
LNAV/VNAV DA	1147-1 3/8 411 (500-1 3/8)			
LNAV MDA	1140-1 404 (500-1)		1140-1 3/8 404 (500-1 3/8)	
C CIRCLING	1220-1 482 (500-1)	1280-1 542 (600-1)	1380-1 3/4 642 (700-1 3/4)	1420-2 1/4 682 (700-2 1/4)

RNAV (GPS) RWY 36

EC-3, 21 MAY 2020 to 18 JUN 2020

EC-3, 21 MAY 2020 to 18 JUN 2020