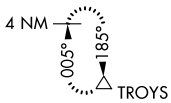


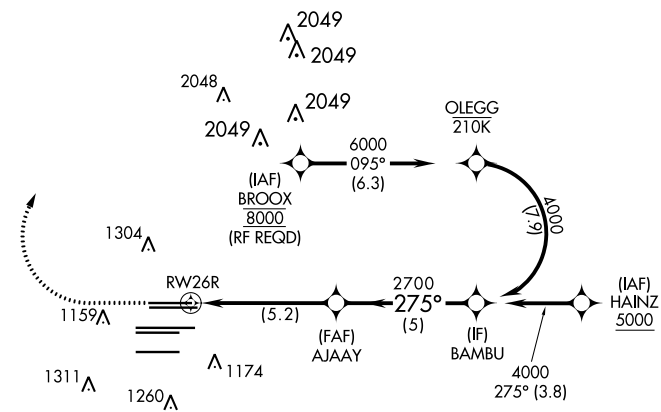
APP CRS	Rwy Idg	8800
275°	TDZE	990
	Apt Elev	1026

RNAV (RNP) Z RWY 26R
HARTSFIELD-JACKSON ATLANTA INTL (ATL)

<p>For uncompensated Baro-VNAV systems, procedure NA below -8°C (18°F) or above 54°C (130°F). GPS required. Simultaneous approach authorized. Arrival from BROOX NA during simultaneous triple approaches.</p>					<p>MALSR </p>		<p>MISSED APPROACH: Climb to 1500 then climbing right turn to 3500 direct TROYS and hold.</p>		
D-ATIS	ATLANTA APP CON	ATLANTA TOWER				ALL RWYS	GND CON		ALL RWYS
ARR 119.65		8L-26R	8R-26L	9L-27R	9R-27L	10-28	(8L-26R,8R-26L)	(9L-27R,9R-27L)	10-28
DEP 125.55	127.9 379.9	119.1	125.325	123.85	119.3	119.5	254.4	121.9	121.75 121.65 254.4



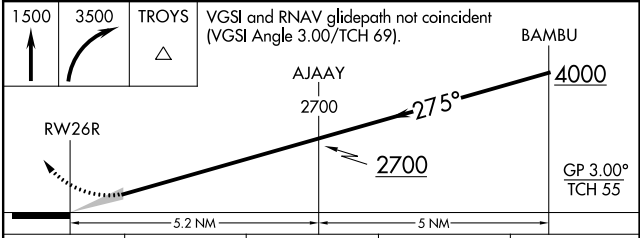
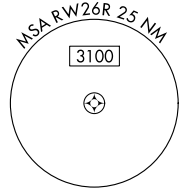
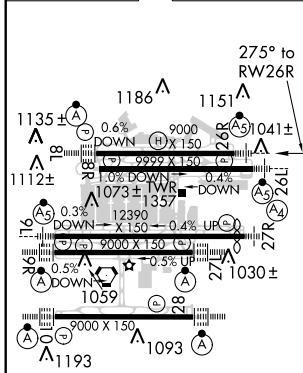
CLNC DEL	CPDLC
118.1	



SE-4, 31 JAN 2019 to 28 FEB 2019

SE-4, 31 JAN 2019 to 28 FEB 2019

ELEV 1026	D	TDZE 990
-----------	----------	----------



CATEGORY	A	B	C	D
RNP 0.30 DA	1402/45		412 (400-1)	

HIRL all Rwys
TDZ/ CL Rwys 8L, 9R,
10, 26R, 27L and 28

AUTHORIZATION REQUIRED