

WAAS CH 86421 W28A	APP CRS 282°	Rwy Idg 4440 TDZE 430 Apt Elev 437
--	------------------------	---

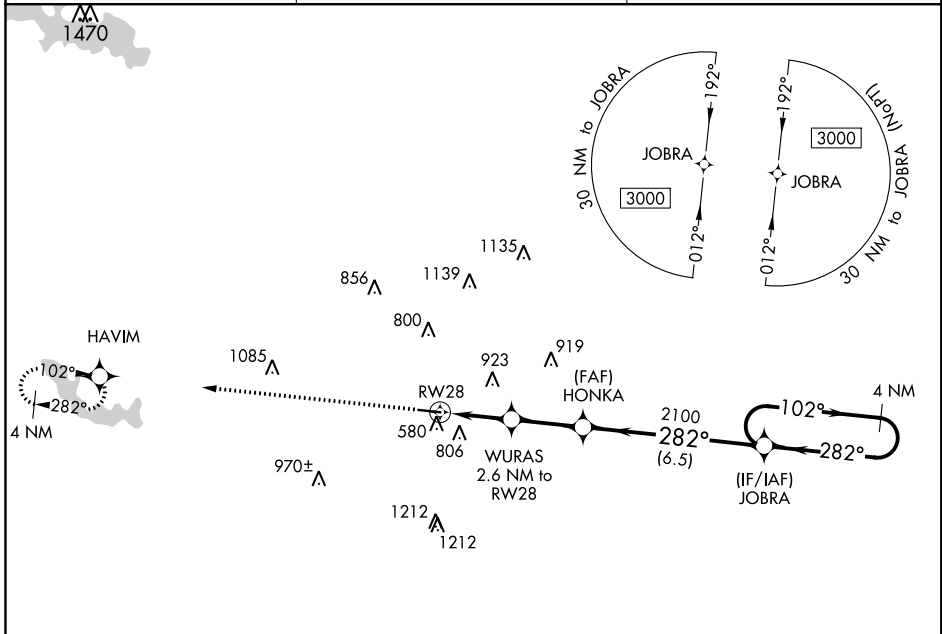
RNAV (GPS) RWY 28

MACON DOWNTOWN (MAC)

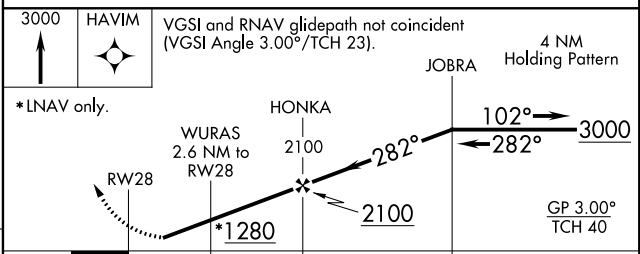
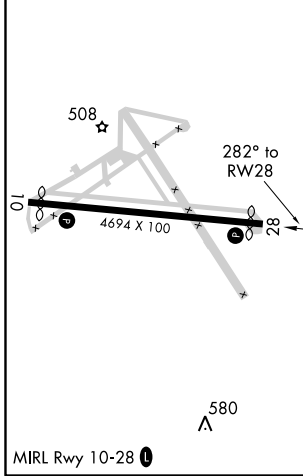
Baro-VNAV NA. Rwy 28 helicopter visibility reduction below $\frac{3}{4}$ SM NA.
DME/DME RNP-0.3 NA. Use Middle Georgia altimeter setting, when not received, use Robbins AFB altimeter setting and increase LPV DA to 726 feet, increase LNAV/VNAV DA to 1063 feet and increase all MDA 20 feet.

MISSED APPROACH: Climb to 3000 direct HAVIM and hold.

MIDDLE GEORGIA RGNL ASOS★ 120.775	ATLANTA APP CON★ 124.2 279.6	UNICOM 123.0 (CTAF) 0
---	--	---------------------------------



ELEV 437	TDZE 430
-----------------	-----------------



CATEGORY	A	B	C	D
LPV DA		712-1	282 (300-1)	
LNAV/ VNAV DA		1049-2½	619 (700-2½)	
LNAV MDA	920-1	490 (500-1)	920-1¾	490 (500-1¾)
C CIRCLING	1200-1	763 (800-1)	1320-2¾ 883 (900-2¾)	1480-3 1043 (1100-3)

SE-4, 03 JAN 2019 to 31 JAN 2019

SE-4, 03 JAN 2019 to 31 JAN 2019