

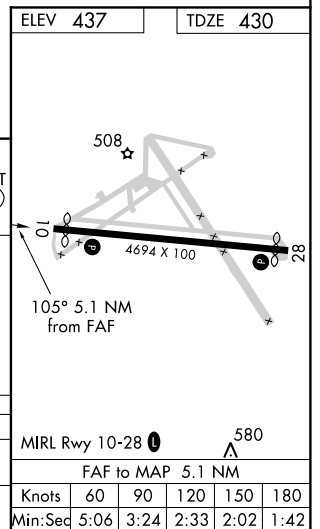
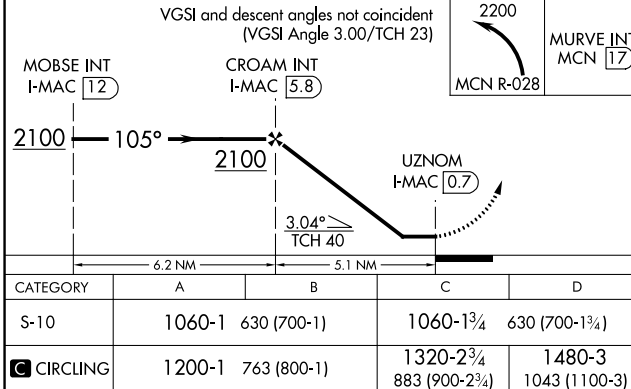
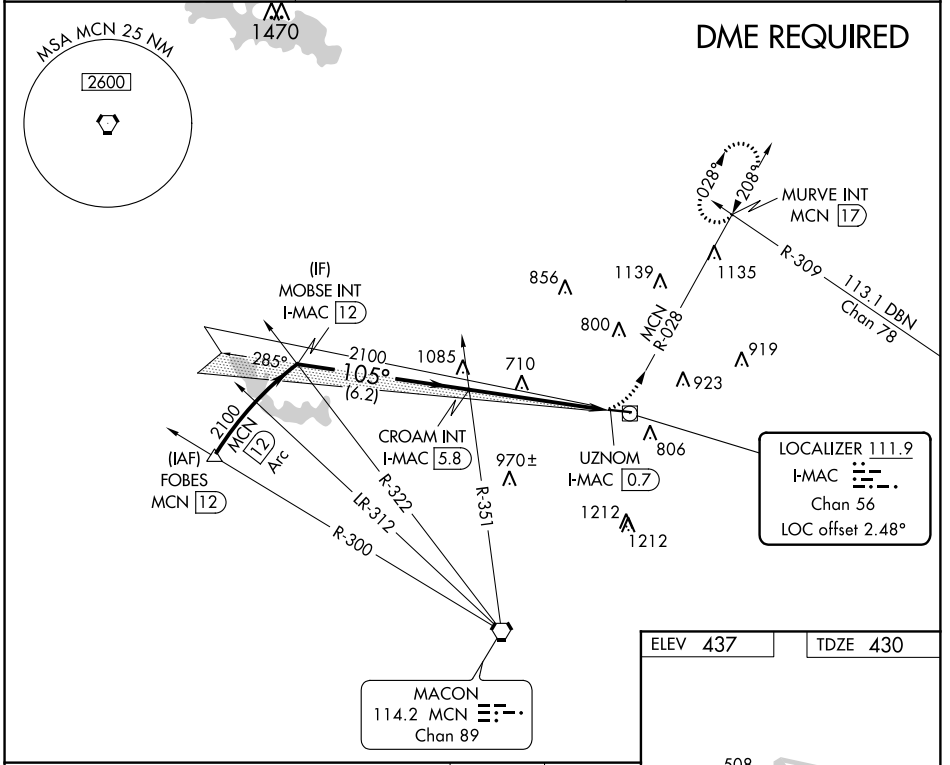
LOC/DME I-MAC <b>111.9</b> Chan <b>56</b>	APP CRS <b>105°</b>	Rwy Idg <b>4439</b> TDZE <b>430</b> Apt Elev <b>437</b>
---	------------------------	---

# LOC RWY 10

MACON DOWNTOWN (MAC)

<p><b>NA</b> Use Middle Georgia Rgnl altimeter setting; when not received, use Robins AFB altimeter setting and increase all MDA 20 feet.</p>		<p>MISSED APPROACH: Climbing left turn to 2200 on MCN VORTAC R-028 to MURVE INT/MCN 17 DME and hold.</p>
MIDDLE GEORGIA RGNL ASOS ★ <b>120.775</b>	ATLANTA APP CON ★ <b>124.2 279.6</b>	UNICOM <b>123.0 (CTAF) 0</b>

## DME REQUIRED



# LOC RWY 10

SE-4, 03 JAN 2019 to 31 JAN 2019

SE-4, 03 JAN 2019 to 31 JAN 2019

CATEGORY	A	B	C	D
S-10	1060-1 630 (700-1)		1060-1¾ 630 (700-1¾)	
CIRCLING	1200-1 763 (800-1)		1320-2¾ 883 (900-2¾)	1480-3 1043 (1100-3)

MIRL Rwy 10-28 0	580
FAF to MAP 5.1 NM	
Knots	60 90 120 150 180
Min:Sec	5:06 3:24 2:33 2:02 1:42