

MONEE

BULT FLD (C56) 3 SE UTC-6(-5DT) N41°22.65' W87°40.79'

790 NOTAM FILE IKK

RWY 09-27: H5001X75 (CONC) S-60 LIRL 0.4% up W

RWY 09: Tree.

RWY 27: Thld dsplcd 151'.

SERVICE: FUEL 100LL, JET A

AIRPORT REMARKS: Attended 1400-2300Z†. 100LL fuel available 24 hrs with credit card. Jet A after hours per prior arrangement. Birds and animals on and invof arpt. Rwy 27 calm wind rwy.

AIRPORT MANAGER: (708) 534-8282

WEATHER DATA SOURCES: AWOS-AV 119.125 (708) 534-5256.

COMMUNICATIONS: CTAF/UNICOM 123.0

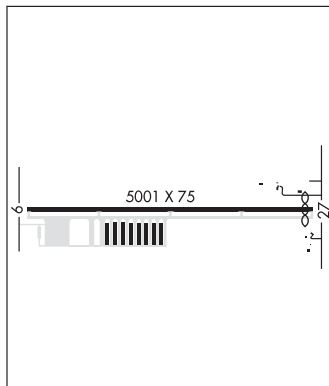
PEOTONE RCO 122.05R 113.2T (KANKAKEE RADIO)

Ⓡ CHICAGO CENTER APP/DEP CON 132.5

RADIO AIDS TO NAVIGATION: NOTAM FILE IKK.

PEOTONE (L) VORTAC 113.2 EON Chan 79 N41°16.18' W87°47.46' 036° 8.2 NM to fld. 689/2E.

CHICAGO
H-5E, L-28H, A
IAP



MONMOUTH MUNI (C66) 2 N UTC-6(-5DT) N40°55.78' W90°37.87'

753 B NOTAM FILE IKK

RWY 03-21: H2899X60 (ASPH) S-10 MIRL

RWY 03: PAPI(P2L)—GA 3.5° TCH 29'. Road.

RWY 21: PAPI(P2L)—GA 3.0° TCH 21'. Tree.

SERVICE: FUEL 100LL, MOGAS LGT ACTIVATE PAPI Rwy 03 and Rwy 21; MIRL Rwy 03-21 preset low ints; to incr ints and ACTIVATE—CTAF.

AIRPORT REMARKS: Attended Tue-Sun 1400-2230Z†. After hrs fuel call 309-255-3455. Rwy 03 seasonal crops in part 77 sfc 200' from rwy end, 61' left.

AIRPORT MANAGER: 309-734-3411

COMMUNICATIONS: CTAF/UNICOM 122.8

GALESBURG RCO 122.1R 109.8T (KANKAKEE RADIO)

Ⓡ QUAD CITY APP/DEP CON 133.275 (1130-0430Z†) CLNC DEL 120.7

Ⓡ CHICAGO CENTER APP/DEP CON 135.6 (0430-1130Z†)

RADIO AIDS TO NAVIGATION: NOTAM FILE GBG.

GALESBURG (T) VOR/DME 109.8 GBG Chan 35 N40°56.24' W90°26.07' 264° 9.0 NM to fld. 760/3E.

CHICAGO
L-27B
IAP

